



ASSEMBLING & INSTALLATION INSTRUCTIONS

The drawing shown may not exactly match the product enclosed.
However, the installation instructions do apply to this product.

8580

- ◆ **WARNING! SHUT POWER OFF AT FUSE OR CIRCUIT BREAKER.**
- ◆ **ATTENTION! COUPER LE COURANT AU FUSIBLE OU UN DISJONCTEUR.**

ASSEMBLING THE FIXTURE (Fig.1)

1. Shut off the power at the circuit breaker and remove old fixture, including the single bar.
2. Thread the pipe thread part way into the center hole of the single bar and secure with hex nut.
3. Attach the single bar to the junction box using two box screws. The side of the single bar marked "GND" must face out. The junction box is not included.
4. Follow wiring instructions carefully (see fig.2)
5. Attach the glass shade(D)/plastic shim(G) and back plate(A) to the top pipe thread of the frame(E), then tighten it with the hex nut(C) until snug.
6. Attach the lamp body onto the junction box, aligning the mounting hole with the pipe thread, then tighten it with the ball nut (B).
7. Install the light bulb(not included) in accordance with the fixture's specifications. **NOTE: DO NOT EXCEED THE MAXIMUM WATTAGE RATING!**

CONNECTING THE WIRES (Fig.2)

1. Connect the electrical wires as follows. Connect the Black wire from the fixture to the black house (hot) Wire. Connect the white wire from the fixture to the white (neutral) house wire. Make sure all wire nuts are secured. You may wrap the connections with electrical tape. If your outlet box has a ground wire (green or bare copper) connect fixture's ground wire to it. Otherwise attach the bare copper fixture wire to the green ground screw on the mounting plate.
2. Tuck the wire connections neatly into the wall junction box. Your installation is now complete Return power to the junction box and test the fixture.

Your installation is now complete. Return power to the junction box and test the fixture.

FIG.1

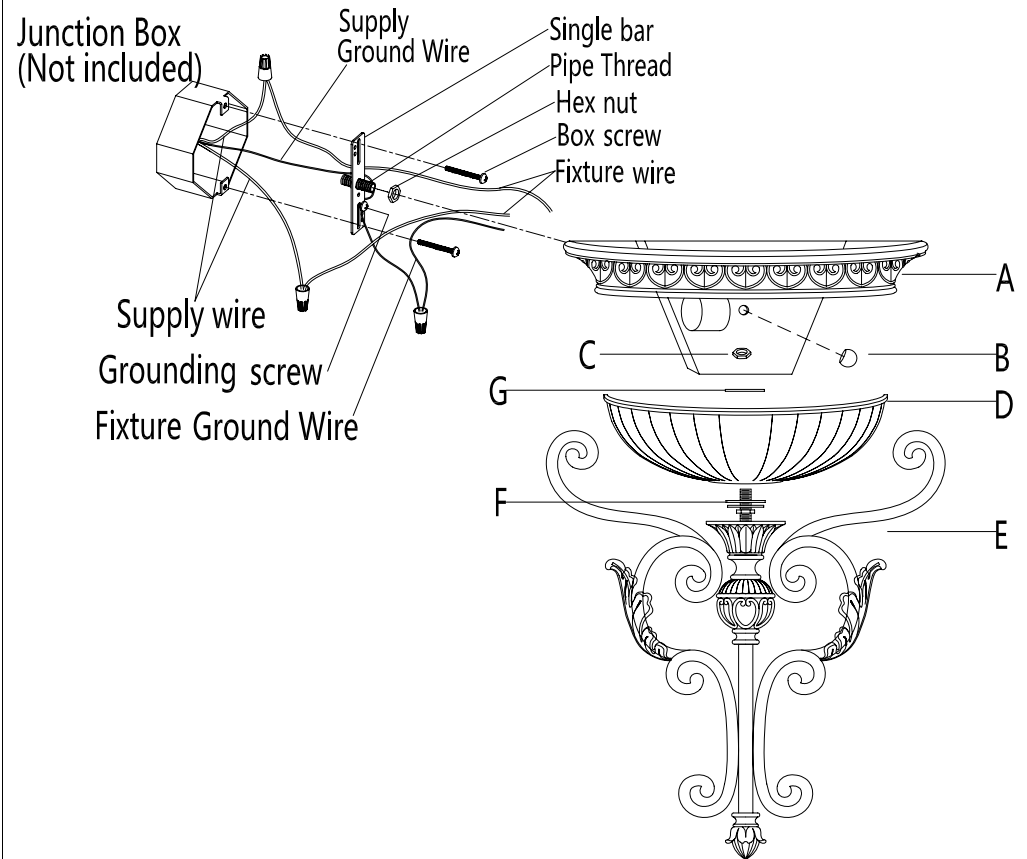
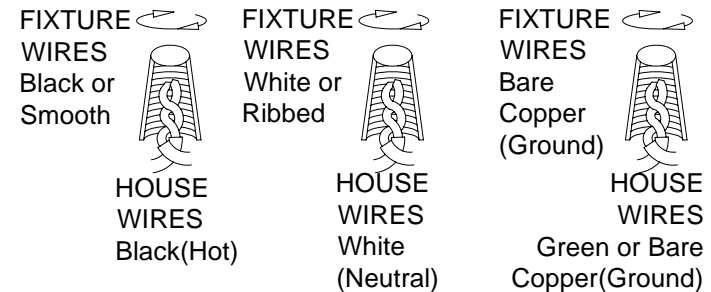


FIG.2



Thank you for purchasing a **LIVEX** product.

Need assistance with parts or assembly? Please call customer service at: **800-761-8056**

Or visit us on-line at: WWW.LIVEXLIGHTING.COM