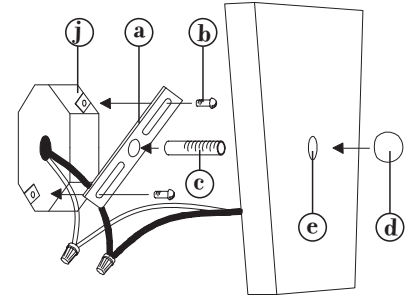


MIMÉ

FR45602BNI/FBZ

Bulbs: 2- 60W CAND. Replacement Parts: GLASS: R45602AMBSH (FBZ FINISH)
R45602SH (BNI FINISH)
R45602CRY-A, R45602CRY-B

[DRAWING 1]



ASSEMBLY INSTRUCTIONS

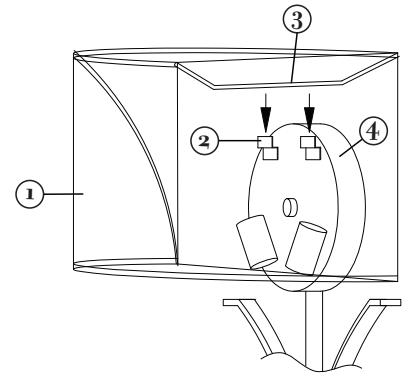
Assembly of this fixture will be accomplished by first installing the mounting hardware to the junction box, making all necessary electrical connections, mounting the backplate to the wall and then installing the fixture glass.

SAFETY WARNING: Read wiring and grounding instructions [FRIS 18] and any additional directions. Turn power supply off during installation. If new wiring is required, consult a qualified electrician or local authorities for code requirements.

STEP 1

- 1 Prepare mounting strap (a) by threading nipple into the center hole of the mounting strap (a), approximately 1/4" - see Drawing 1.
- 2 Attach mounting strap (a) to junction box (j) using two screws (b) not provided.

[DRAWING 2]

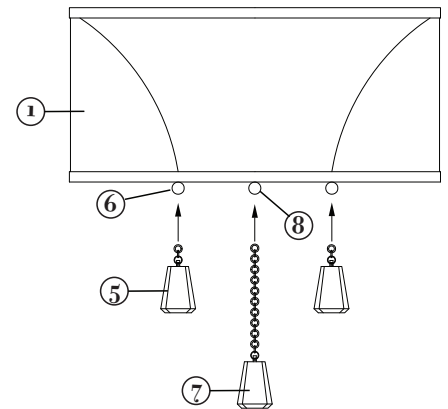


STEP 2 Make electrical connections from supply wire to fixture lead wires. Refer to instruction sheet [FRIS 18] and follow all instructions to make all necessary wiring connections. Then refer back to this sheet to continue installation of this fixture.

STEP 3

- 1 To mount backplate to wall, slip center hole of backplate (e) over nipple (c) and hold fixture in position - see Drawing 1.
- 2 Thread decorative knob (d) onto end of nipple (c) and tighten to secure fixture.
- 3 Fixture can now be lamped accordingly.

[DRAWING 3]



STEP 4

- 1 To install shade (1), slip mounting bar (3) behind brackets (4) on backplate (2) - see Drawing 2.

STEP 5

- 1 Attach short crystals (5) to the two outside loops (6) located on the bottom of the shade (1). - see Drawing 3.
- 2 Attach crystal (7) to the center loop (8) located on the bottom of the shade.
- 3 Fixture is complete.



FREDRICK RAMOND
ESTABLISHED 1965

A Division of Hinkley Lighting, Inc.
33000 PIN OAK PARKWAY | AVON LAKE, OHIO 44012
toll free 800.446.5539 | phone 440.653.5500

WIRING AND GROUNDING INSTRUCTIONS

SAFETY WARNING: Read wiring and grounding instructions [FRIS 18] and any additional directions. Turn power supply off during installation. If new wiring is required, consult a qualified electrician or local authorities for code requirements.

STEP 1 WIRING INSTRUCTIONS

Indoor Fixtures

- 1 Connect positive supply wire (a) (typically black or the smooth, unmarked side of the two-conductor cord) to positive fixture lead (b) with appropriately sized twist on connector - See Drawings 1 or 2.
- 2 Connect negative supply wire (c) (typically white or the ribbed, marked side of the two-conductor cord) to negative fixture lead (d).
- 3 Please refer to the grounding instructions below to complete all electrical connections.

Outdoor Fixtures

- 1 Connect positive supply wire (a) (typically black or the smooth unmarked side of the two-conductor cord) to positive fixture lead (b) with appropriately sized twist on connector - See Drawings 2 or 3.
- 2 Connect negative supply wire (c) (typically white or the ribbed, marked side of the two-conductor cord) to negative fixture lead (d).
- 3 Cover open end of connectors with silicone sealant to form a watertight seal.
 - If installing a wall mount fixture, use caulk to seal gaps between the fixture mounting plate (backplate) and the wall. This will help prevent water from entering the outlet box. If the wall surface is lap siding, use caulk and a fixture mounting platform specially.
- 4 Please refer to the grounding instructions below to complete all electrical connections.

STEP 2 GROUNDING INSTRUCTIONS

Flush Mount Fixtures

For positive grounding in a 3-wire electrical system, fasten the fixture ground wire (e) (typically copper or green plastic coated) to the fixture mounting strap (1) with the ground screw (2) - See Drawing 1.

Note: On straps for screw supported fixtures, first install the two mounting screws in strap.

Any remaining tapped hole may be used for the ground screw.

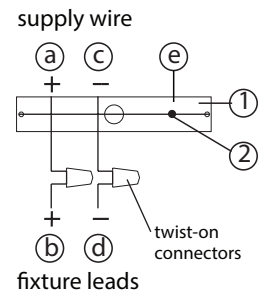
Chain Hung Fixtures

Loop fixture ground wire (e) (typically copper or green plastic coated) under the head of the ground screw (2) on fixture mounting strap (1) and connect to the loose end of the fixture ground wire directly to the ground wire of the building system with appropriately sized twist-on connectors - See Drawing 2.

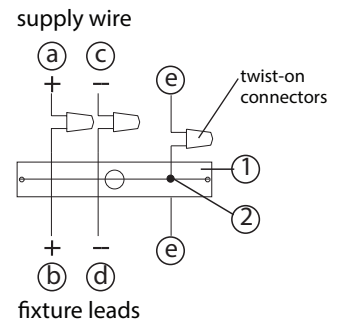
Post-Mount Fixtures

Connect fixture ground wire (e) (typically copper or green plastic coated) to power supply ground with appropriately sized twist-on connector inside post. Cover open end of connector with silicone sealant to form a watertight seal - See Drawing 3.

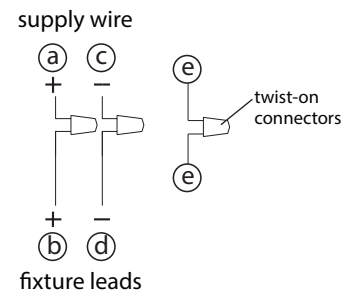
[drawing 1]



[drawing 2]



[drawing 3]



FREDRICK RAMOND
ESTABLISHED 1965

A Division of Hinkley Lighting, Inc.
33000 PIN OAK PARKWAY | AVON LAKE, OHIO 44012
toll free 800.446.5539 | phone 440.653.5500