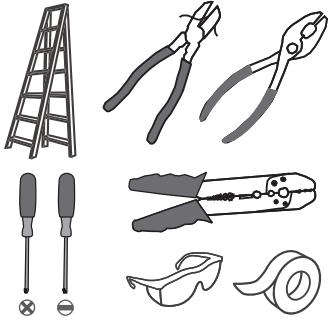
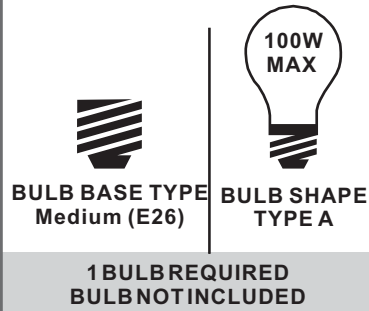


Tools Required



Light Source



Warnings and Cautions

Turn off the electricity at the circuit breaker before installation. Consult a licensed electrician if in doubt about installation.

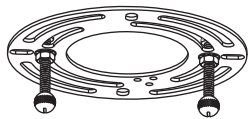
Turn off power to the fixture and allow the bulbs to cool before replacing.

Package Contents

Preparation: Identify and inspect all parts before beginning the installation.

Missing or damaged parts? Contact your original place of purchase.

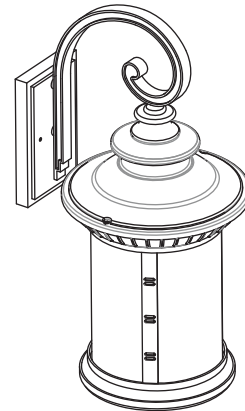
PARTS BAG



A Crossbar Assembly x 1



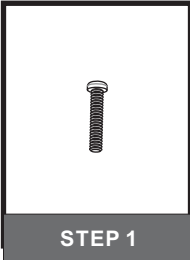
B Alternate Mounting Screw x 2



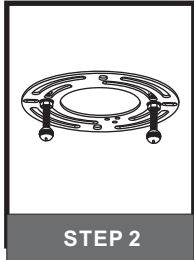
C Fixture Body x 1

Table of Contents

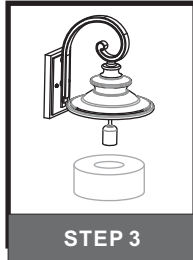
Alternate Mounting Screw



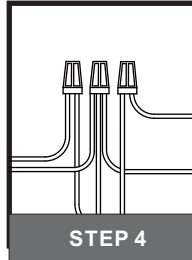
Crossbar Assembly



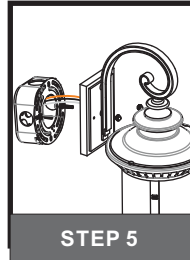
Remove Pack



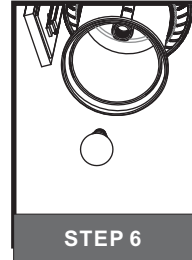
Wiring



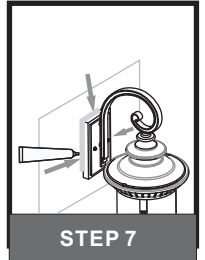
Fixture Body



Bulb

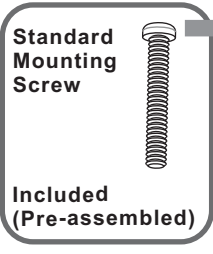


Caulk

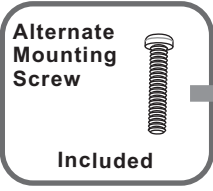


STEP 1

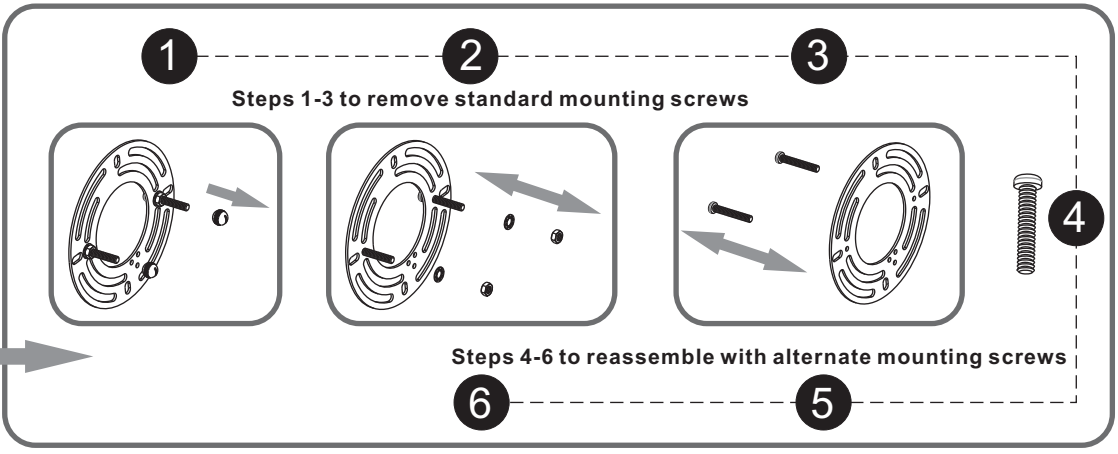
OPTION 1



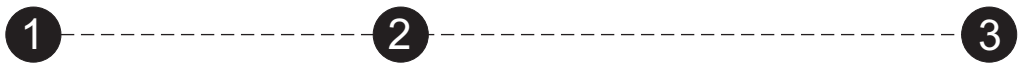
OPTION 2



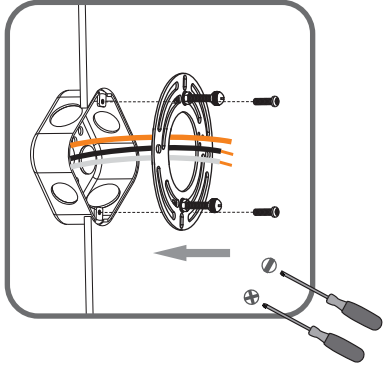
skip to next page



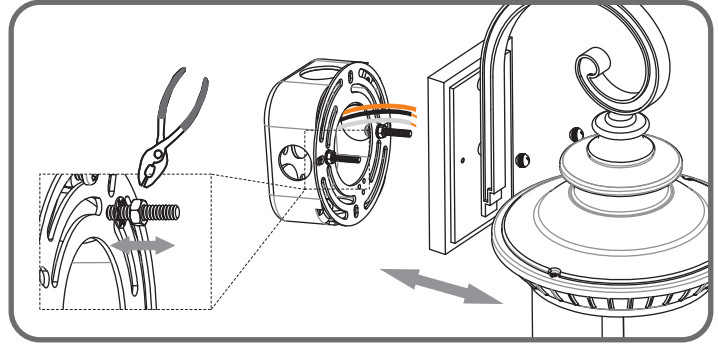
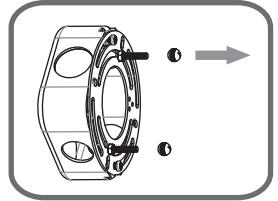
STEP 2



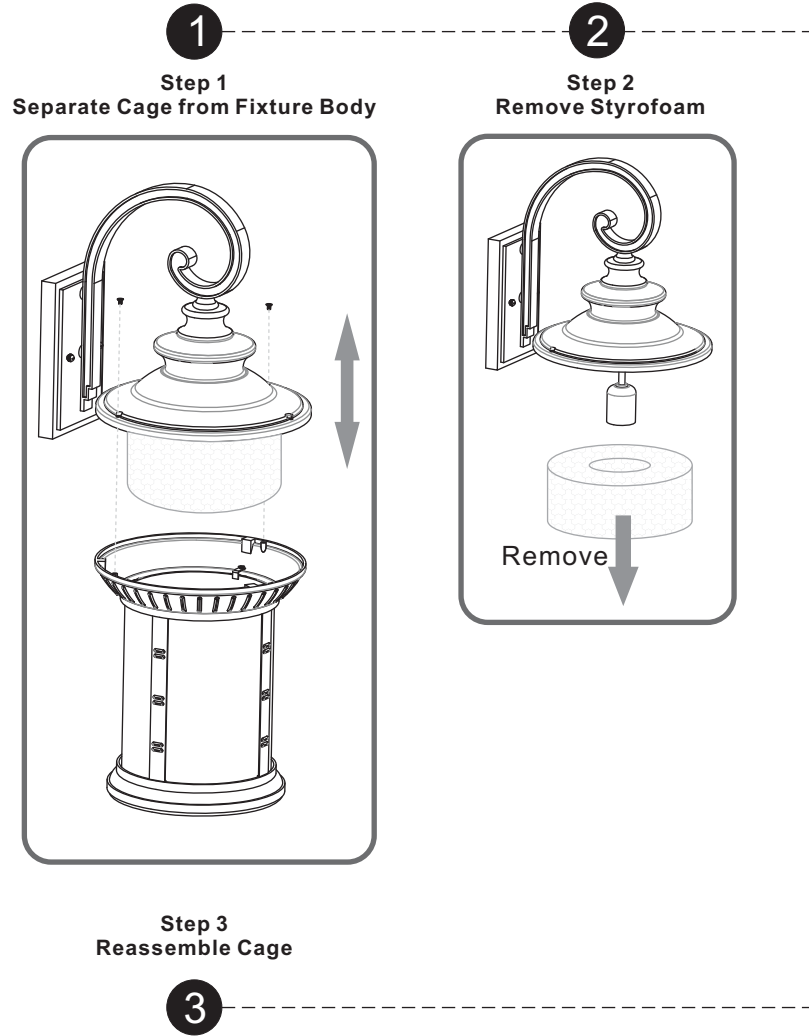
Step 1
Install crossbar assembly



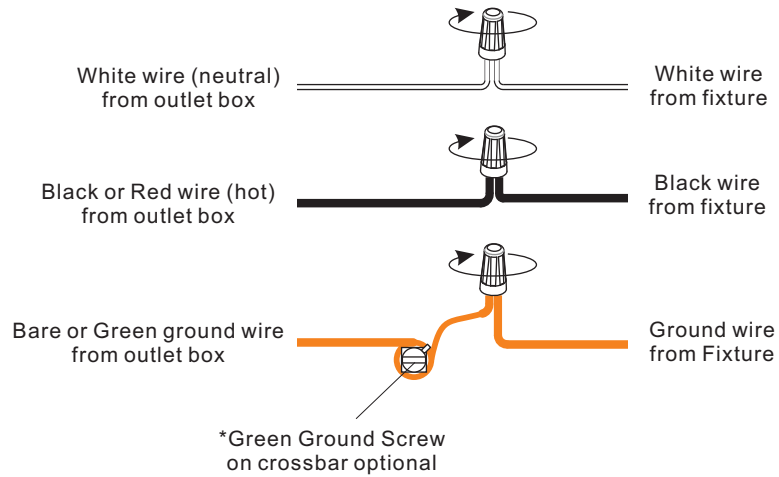
Step 2 - 3
Test fitting backplate to mounting screws



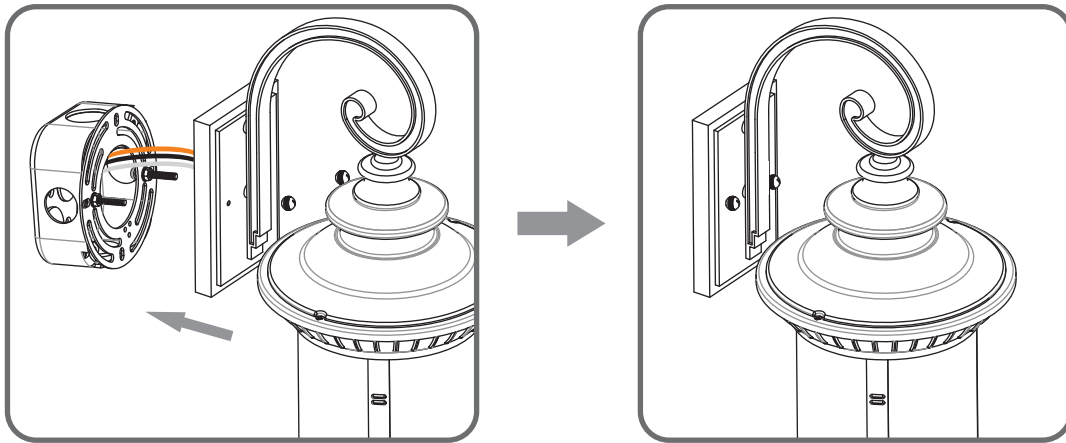
STEP 3



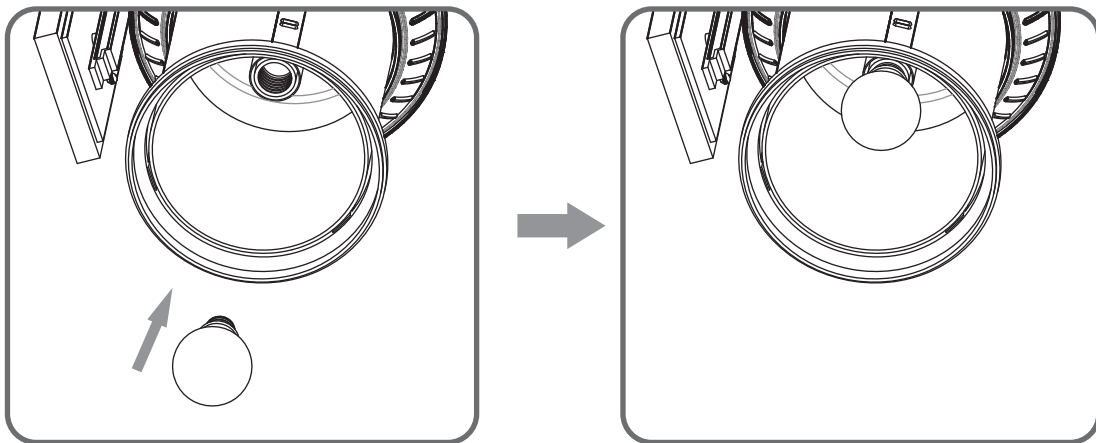
STEP 4



STEP 5



STEP 6



STEP 7

