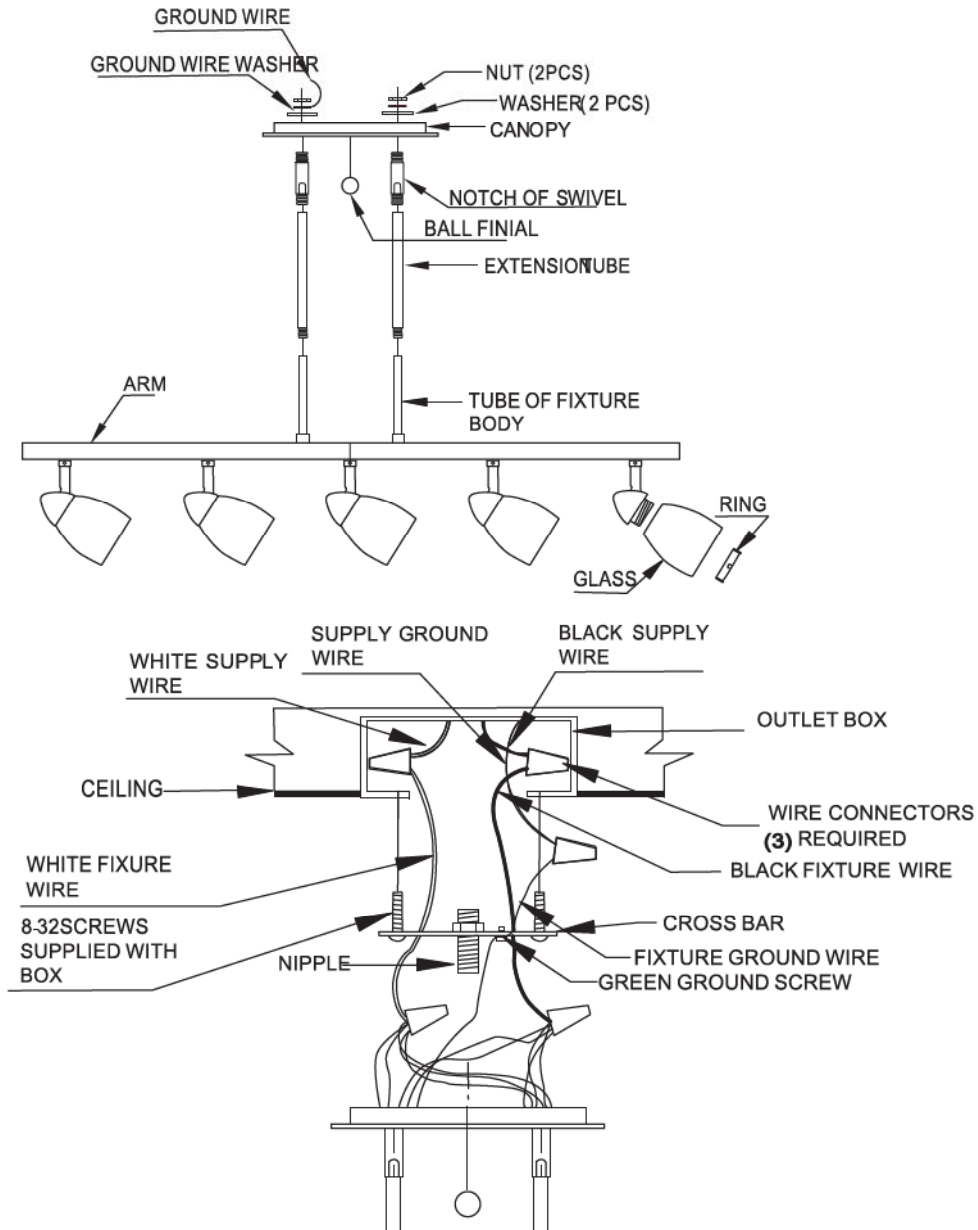


# ASSEMBLY INSTRUCTION FOR SL-954-5 AND SL-954-3 (3 HEADS VERSION)

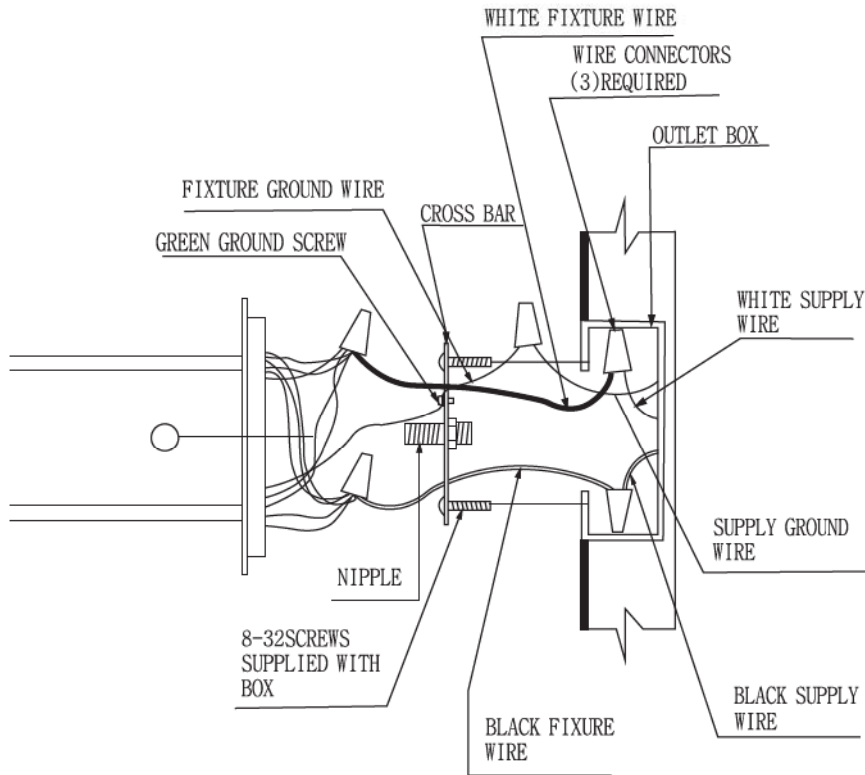


**WARNING :** Before starting installation ,turn off power by removing fuses or turning off circuit breakers .Turning off the power by using the light switch is not sufficient to prevent electrical shock .If you don't have the electrical experiences needed ,have the fixture installed by a qualified licensed electrician .

**CAUTION :** This is just an installation "guide",please check with your local certified electrician for proper installation per your city code .We cannot be held reliable for the use or misuse of the installation guide provided.

- 1.**Remove** nuts ,washers and swivels in canopy prior to proceeding with connection of extension tubes which ranges from 4" to 12" in length.
- 2.**Fix tube** to fixture body and screw any extension tube per your desired length.
- 3.**Screw** the swivels removed to tubes .Remember to make notch of swivel secured in correct position as shown in the diagram .
- 4.**Thread** wires upward directly through tubes ,drawing from fixture body to canopy.Pull the wires slightly in case the wires wind around in the tube .
- 5.Insert nipples of swivels into holes of canopy and fasten with washers and nuts provided ,making sure the ground wire washer has been assembled.
- 6.Screw the nipple into crossbar and attach the crossbar to the ceiling outlet box using the two 8-32 screws furnished .
- 7.**Wiring :**Connect all white fixture wires using wire connector.Following that ,lead an additional white fixture wire out from the wire nut ;draw out an extra black fixture wire in the same manner .Connect the extra white fixture wire to the white supply wire ,black fixture wire to black supply wire ,install the fixture ground wire under the green ground screw on the crossbar then connect the fixture ground wire to supply ground wire in outlet box by wire connector.
- 8.Raise the fixture to the ceiling and secure in place with the ball finial .
- 9.Put a glass shade onto each socket and secure with the socket ring .
- 10.Slide a GU10 50 W max flood bulb deep into each shade and socket , turn around until the bulb locks the socket .
- 11.Restore power ,your fixture is now ready to use .

## ASSEMBLY INSTRUCTION FOR SL-954-5 AND SL-954-3 (3 HEADS VERSION)



**WARNING :** Before starting installation ,turn off power by removing fuses or turning off circuit breakers .Turning off the power by using the light switch is not sufficient to prevent electrical shock .If you don't have the electrical experiences needed ,have the fixture installed by a qualified licensed electrician .

**CAUTION :** This is just an installation "guide",please check with your local certified electrician for proper installation per your city code .We cannot be held reliable for the use or misuse of the installation guide provided.

**NOTE:** IF MOUNTING TO A WALL ,PLEASE PROCEED TO MOUNTING TO WALL PER THIS INSTRUCTION.

1. When this fixture is supposed to use as a wall fixture ,please remove the swivel and install extension tubes canopy directly.
2. Wiring :Connect all white fixture wires using wire connector.Following that, lead an additional white fixture wire out from the wire nut ;draw out an extra black fixture wire in the same manner .Connect the extra white fixture wire to the white supply wire ,black fixture wire to black supply wire ,install the fixture ground wire under the green ground screw on the crossbar then connect the fixture ground wire to supply ground wire in outlet box by wire connector.
3. Push the fixture to the outlet box and secure in place with the ball finial.
4. Put a glass shade onto each socket and secure with the socket ring .
5. Slide a GU10 50 W max flood bulb deep into each shade and socket , turn around until the bulb locks the socket .
6. Restore power ,your fixture is now ready to use .

**\*\*\*\* HELPFUL HINTS FOR USING SERPENTINE EXTENSION POLES \*\*\*\***

The CAL Lighting serpentine series 954-77, 954-56D, SL-954-5 and SL-954-3 all come with a pair (for the two connections on the canopy) of 2", 4" and 8" extension poles.

The 2" pole has a universal joint that accommodates slope ceilings, and also is used when the application requires the rail/track to be as close as to the canopy as possible. To use the 2" pole, first remove the male end thread that is factory installed to the canopy. The simply screw one end of the 2" pole into the canopy and the other into the rail/track. You don't have to remove the factory installed male treads if you are not using the 2" pole w/universal joint. Simply connect the 4" or/and 8" poles or combination to your desired length.

**Make the length adjustment before installation of the fixture.**

Additional extension poles are readily available for sale in 4", 8", 24" and 36" sizes and in all finishes.

**SAVE THESE INSTRUCTIONS FOR FUTURE REFERENCE.**