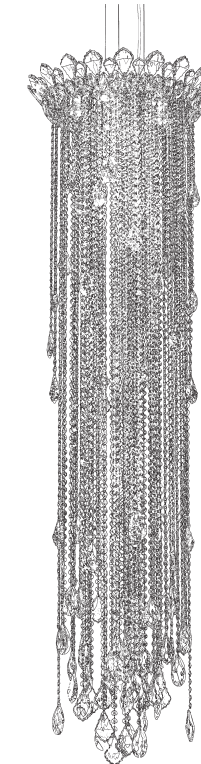




SCHONBEK®

**TRILLIANE STRANDS
TR1813N- __ _A**



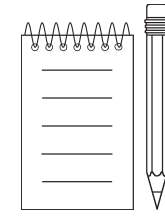
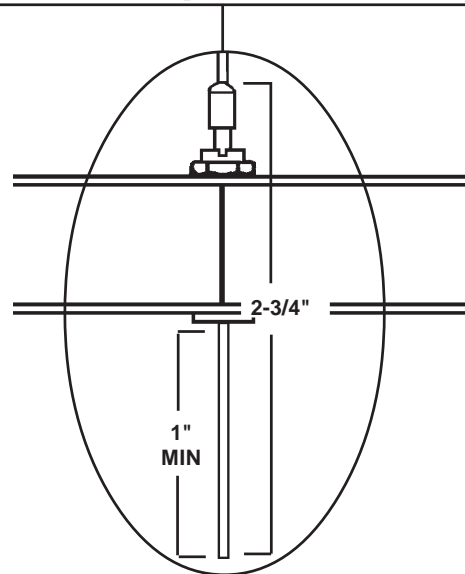
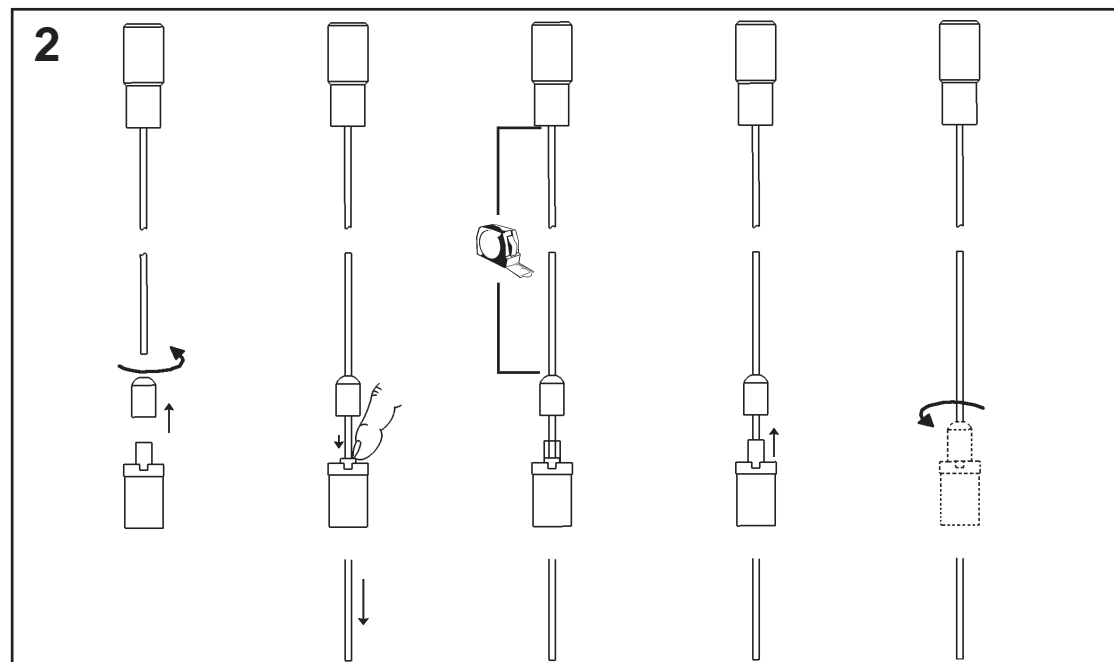
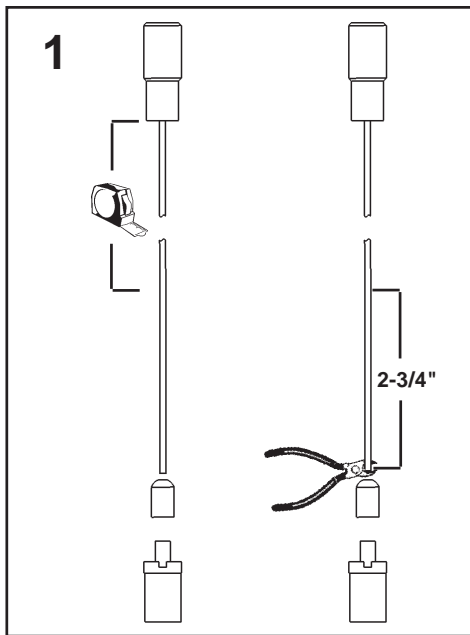
THIS DESIGN IS THE PROPRIETARY
TRADE DRESS/TRADE MARK OF
SWAROVSKI LIGHTING, LTD.

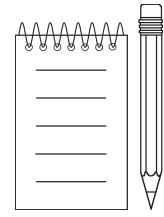
5 Lights
Diameter: 21"
Height: 72"
Hanging Weight: 41lbs.



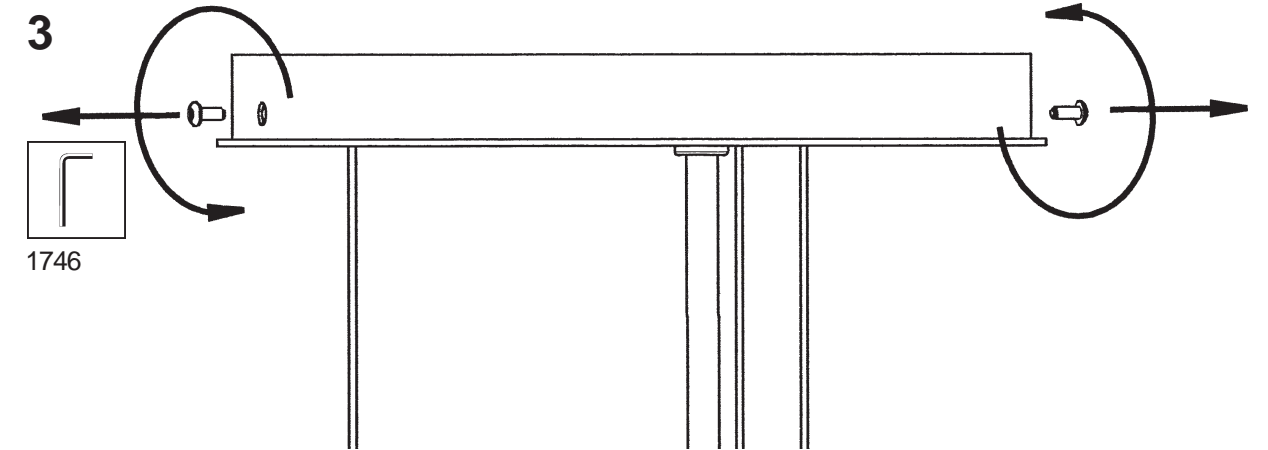
SCHONBEK®

MAX <u>50</u> W		110-120 V						



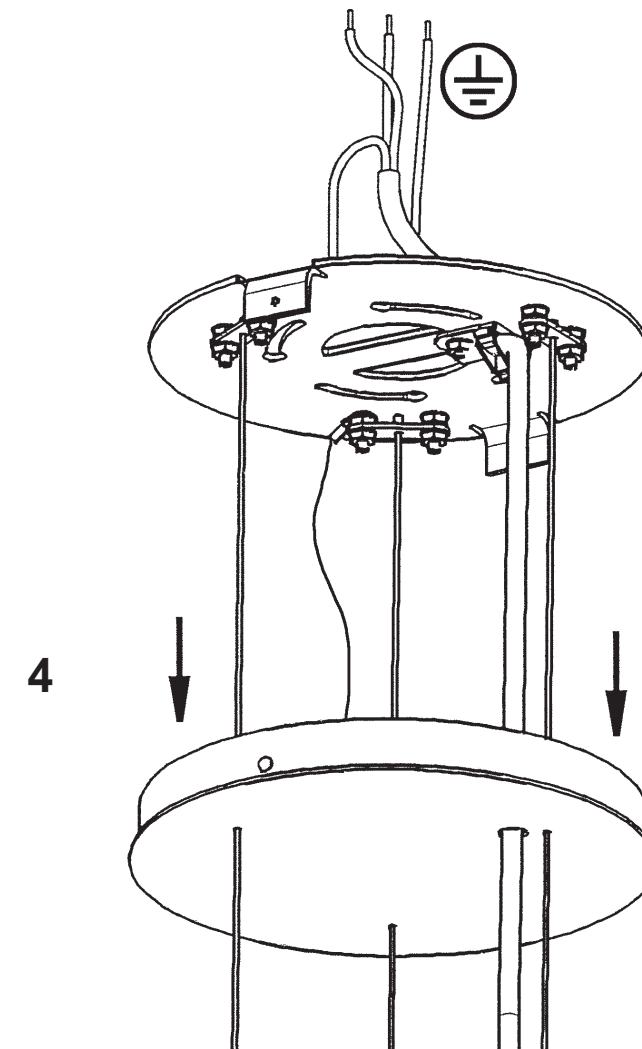


1X  : 1746

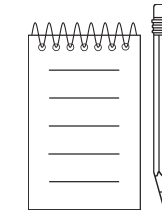
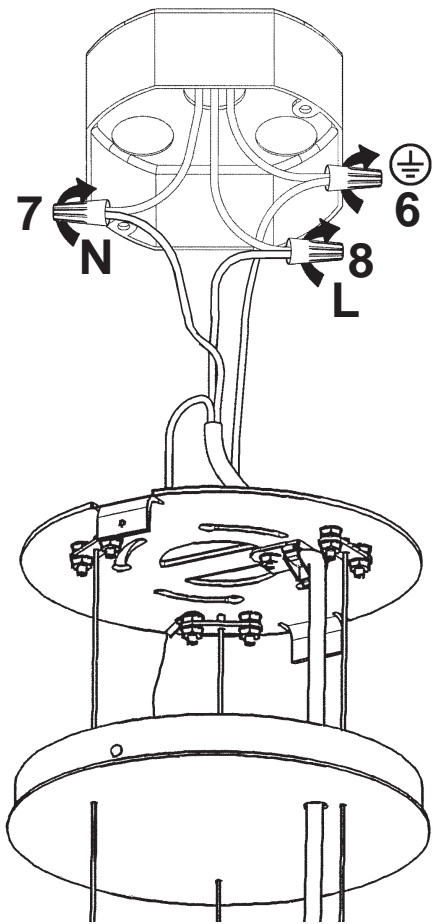
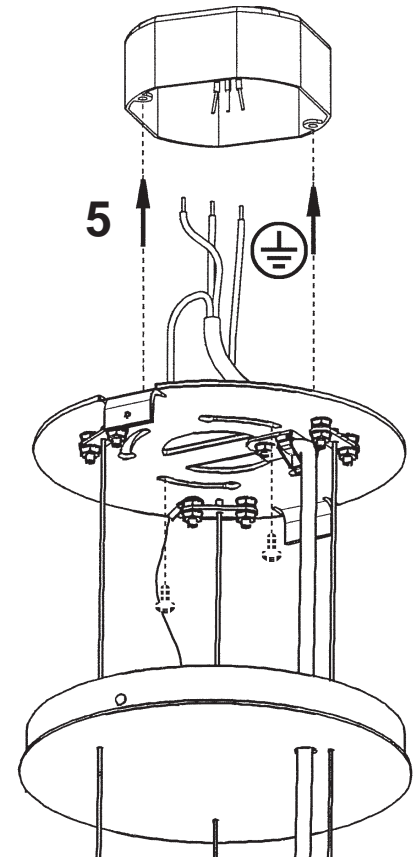


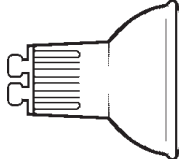


1746

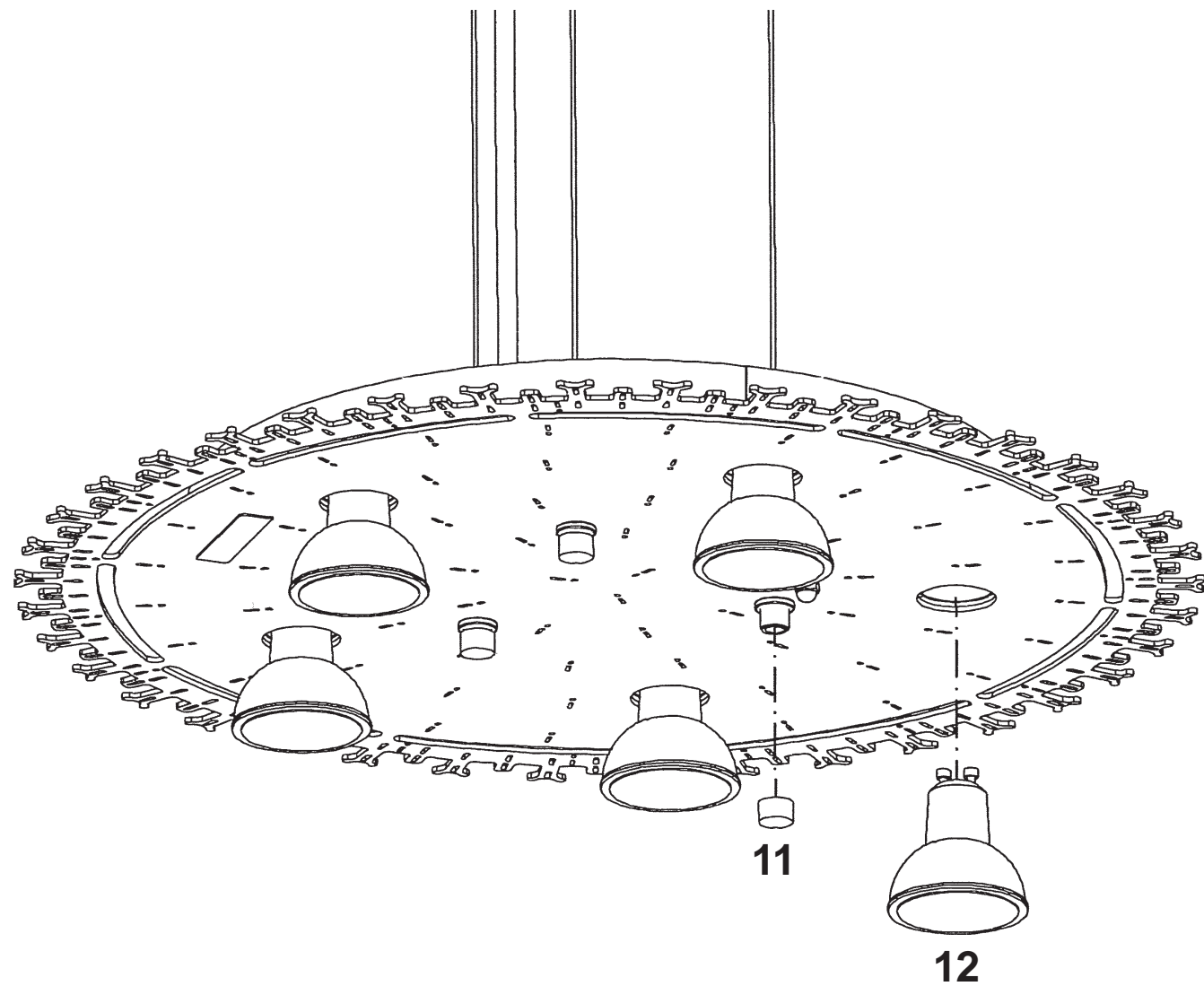
3



4

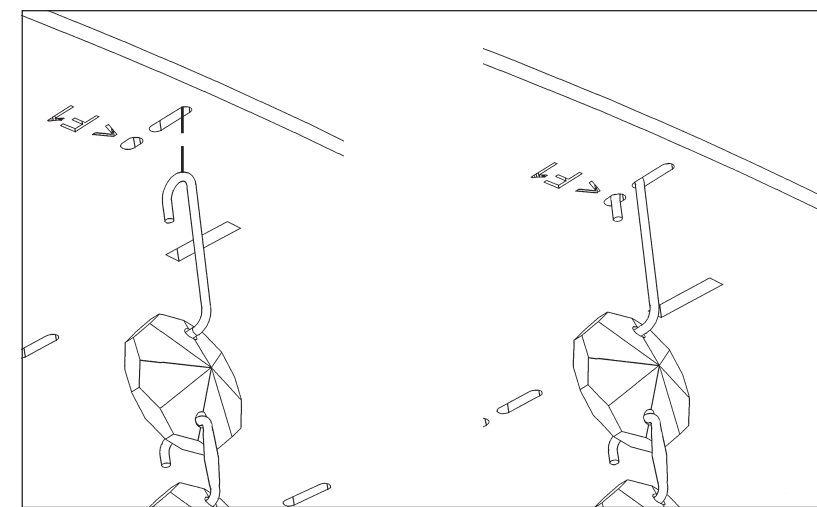
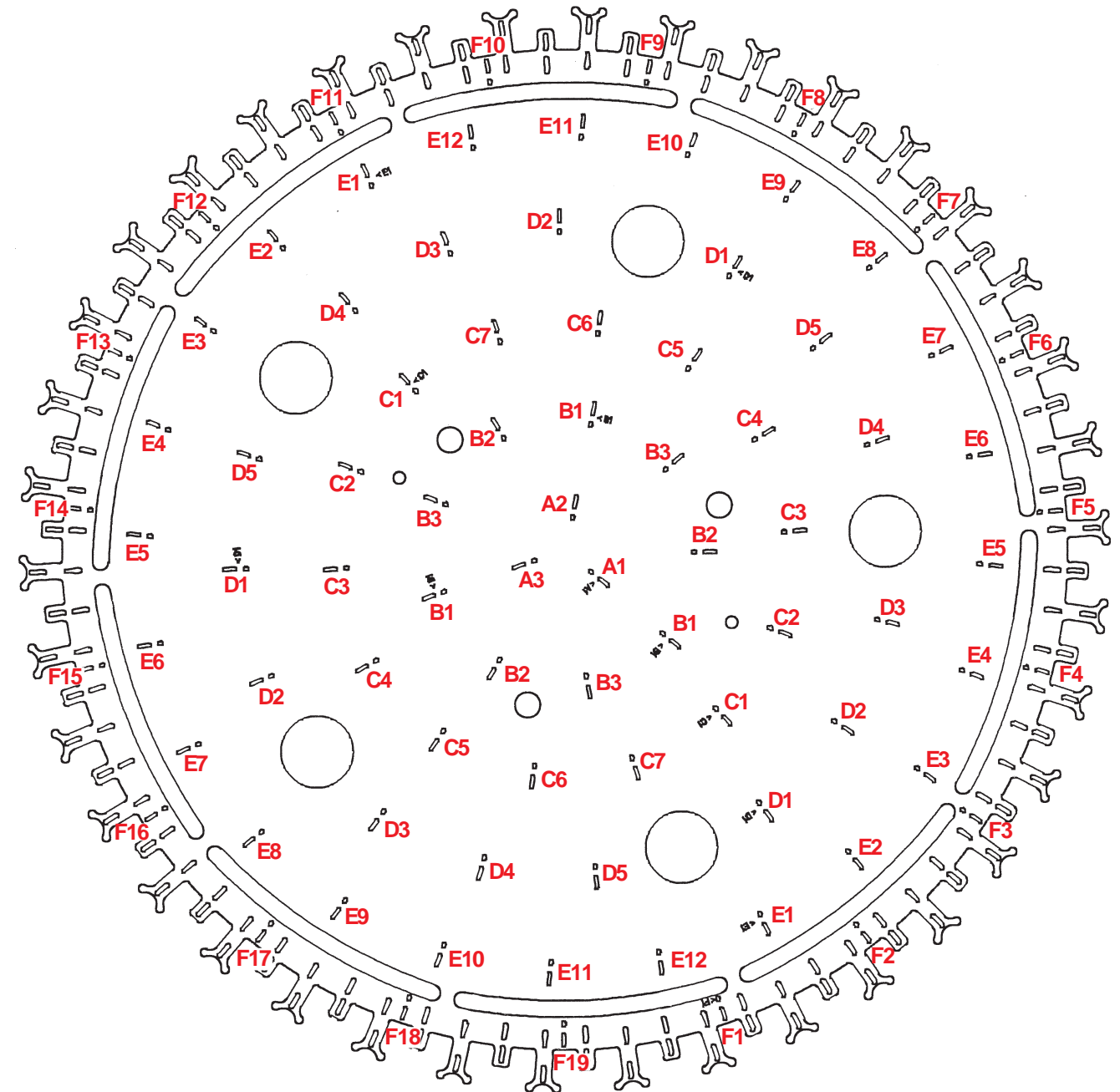


5 X  : GU10 50W MAX 



11

12



- 13 A1 - A3
- 14 B1 - B3
- 15 C1 - C7
- 16 D1 - D5
- 17 E1 - E12
- 18 F1 - F19

After hanging all trim, remove labels from crystals. If residue remains, wipe off crystal with a soft, dry cloth.