

## ⚠ WARNING

### RISK OF ELECTRIC SHOCK

- Do not use in wet locations.
- Use indoors only.
- Turn power off before servicing - see instructions.
- Properly ground fixture.
- Ensure that no bare wires are exposed outside the electrical connections.

### BULB MAY SHATTER AND CAUSE INJURY IF BROKEN

Do not use excessive force when installing bulb.

### RISK OF BURN

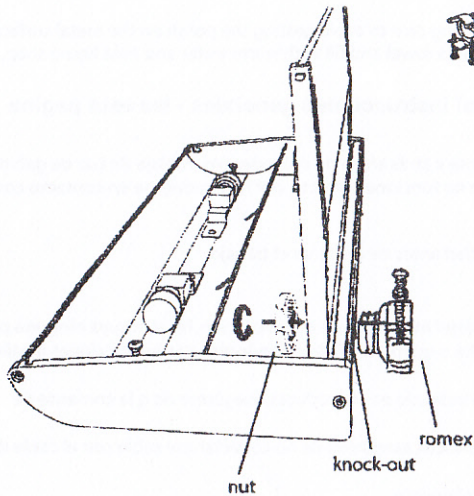
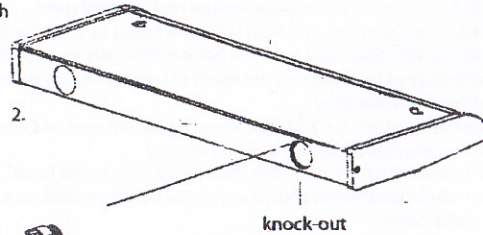
- Allow bulb to cool before handling.

### INSTALLATION PROCEDURES

#### 1. Turn off power.

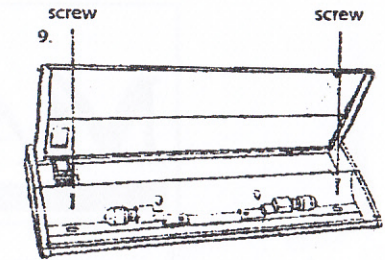
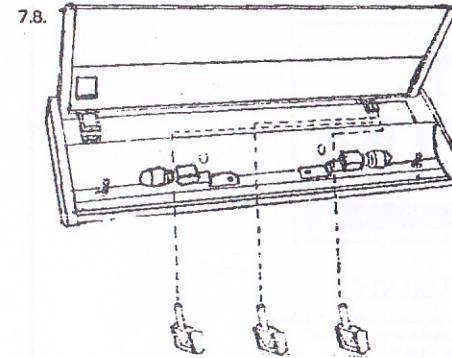
Note: All installations should comply with local electrical codes. If you have any doubts concerning installation contact a qualified licensed electrician.

- Knock out the hole on the back of the fixture through which the wire is supposed to go.
- Hold the screw nut of the Romex connector sticking to the inside surface.
- Screw in the connector through the metal case.
- Pull romex through connector and tighten screws.



- Push the 3 wires (black, white and green) through the wire tube.
- Push the wires into the appropriate connector:  
White to white  
Black to black  
Green to green
- Install the fixture using provided screws.

MODELS  
87830WT  
87831WT  
87832WT  
87833WT  
87834WT  
87830MB  
87831MB  
87832MB  
87833MB  
87834MB



### OPENING DIFFUSER:

- Turn off fixture and allow to cool.
- Place finger tip on tab of each diffuser end cap.
- Slide top and diffuser forward.
- Lower that edge of diffuser.

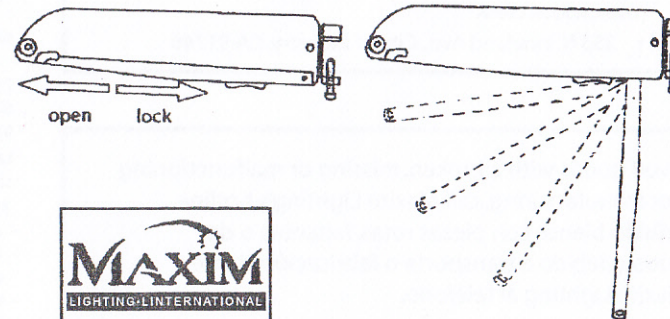
### CLOSING DIFFUSER:

- Swing edge of diffuser with tabs up toward fixture until pegs by tabs slip into slot at the end of fixture end caps.
- Slide top and diffuser towards rear of fixture to lock.

### BULB REPLACEMENT INSTRUCTIONS

Re-lamp only with Max. 20 Watt, 120 Volt, TYPE T-4 G8 base xenon bulb.

- Turn the light off and allow time for bulb (lamp) to cool before handling.
- Open the glass cover with your finger tips (See illustration).
- Using a cloth or towel grasp the bulb firmly and pull bulb out of socket. Insert new bulb using a paper towel or cloth to hold the bulb.
- Position the glass lens by sliding tabs forward allowing pegs to seat in slots.



Maxim Light, 253 N. Vineland Ave, City of Industry, CA 91746  
Tel: 1-800-486-2945 Fax: 1-800-486-7337 www.maximlighting.com