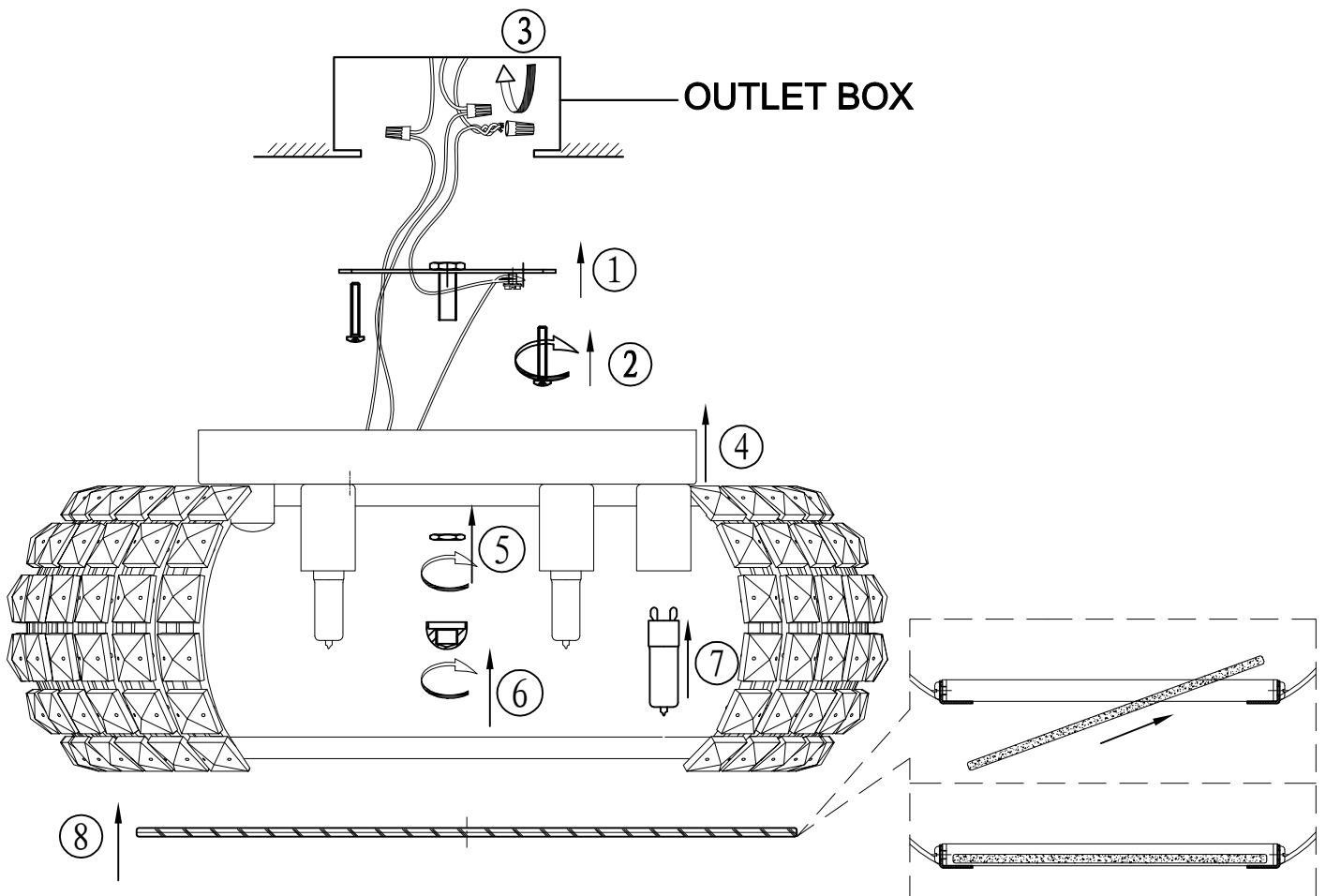


INSTALLATION INSTRUCTION

Item No.: E21801-20PC



FEATURE

- Lamp Type: G9 6xMAX 40W 120V~ 60Hz
The lamp can be only indoor used