

Glass Shade Assembly: For Model (A), (B), (C), (D) and (G) vanity series

Slide Fitter and Glass Shade to Lampholder and tighten with Lampholder Ring.

Glass Shade Assembly For Model No.(E) &(F)

Slide Fitter, Spacer, Glass Shade to Lampholder and tighten with Lampholder Ring.

Fixture Pine Assembly: For Model No.(D), (E), (F)

Thread Pipe to Connector, thread Nipple into inside of Pine, tighten the Pipe inside Canopy.

Canopy Assembly for Model No.(E) &(F). Refer the instruction on the reverse side.

Attach two Mounting Screws to Mounting Strap and tighten with Hex Nuts.

Secure Mounting Strap to Outlet Box by threading two Outlet Box Screws through the key hole.

After the wires connected, raise Canopy against ceiling and tighten with Threaded Studs.

Backplate Assembly for vanity series Mdeo No. (G)

1 The Universal Crossbar contains several pairs of threaded holes. Find the pair of holes that match the hole spacing in your fixture Wall Plate, and thread the two Fixture Mounting Screws part way into the Universal Crossbar and tighten with two Hex Nuts.

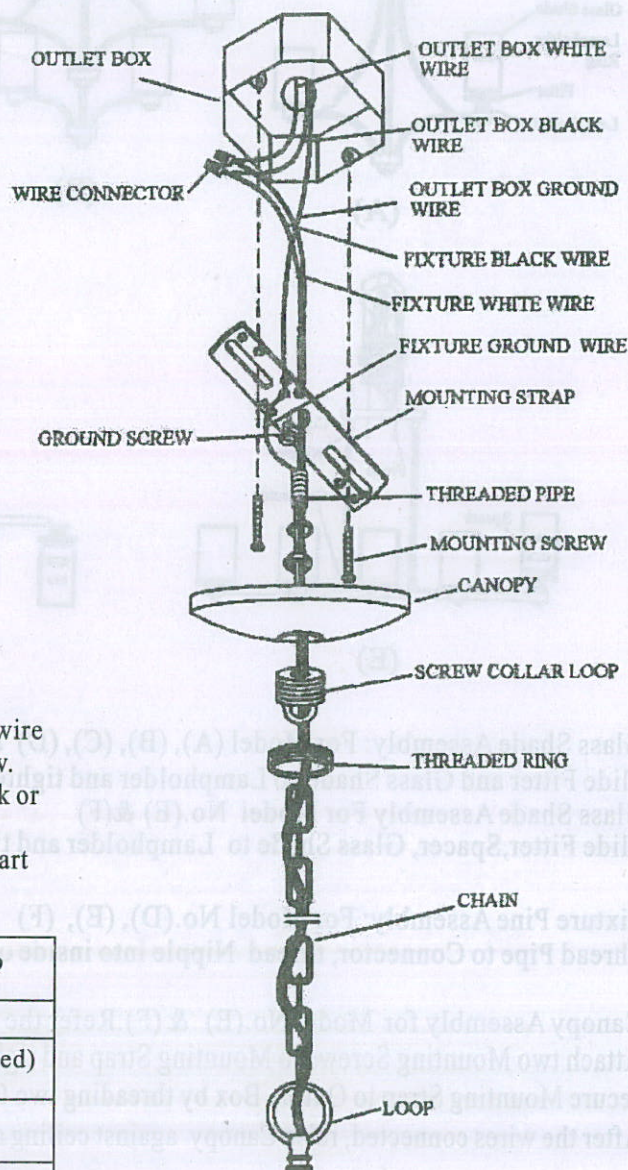
2. Secure the Universal Crossbar to the Outlet Box by threading the two Outlet Box Screws through the Key Holes.

3. See reverse side for the wire connections.

4. Place the fixture Wall Plate over the two Fixture Mounting Screws so they protrude through the holes in the Wall Plate. 5. Thread the Finials onto the Fixture Mounting Screws and continue turning until the Fixture is snug against the wall.

ASSEMBLY AND INSTALLATION INSTRUCTIONS

1. Turn the power off.
2. Take threaded pipe from parts bag and screw in screw collar loop at minimum of 1/4" Lock into place with hex nut.
3. Run another hex nut down threaded pipe almost touching first hex nut. Now screw threaded pipe into mounting strap. Mounting strap must be positioned with extruded thread faced into outlet Box. Threaded pipe must protrude out the back of mounting strap, Connect mounting strap to outlet box
4. Unscrew the threaded ring from screw collar loop. Take canopy and pass over screw collar loop. Approximately one half of the screw collar loop exterior threads should be exposed. Adjust screw collar loop by turning assembly up or down in mounting strap. Remove canopy.
5. After desired position is found, tighten top hex nut up against the bottom of the mounting strap.
6. Open the Chain link and decide how much Chain to use, Spread open the Chain link you have decided to ,remove and discard unused links,and hook t he Chain link onto the Fixture Loo then close the Chain link,
7. At this point decide how much chain to use, including one additional adjustable chainlink at top end, so the fixture hangs at desired height. Spread open the chain link you have decided to remove and discard unused links.
8. Slide collar ring and then canopy down the chain.
9. Open the Chain link at the other end and then hook onto top of Chain Then grabbing onto Chain firmly lift fixture and hook the Chain onto Screw Collar which has been mounted onto ceiling. Close back the Chain link.
10. If fixture is provided with ground wire, connect fixture ground wire and outlet box ground wire securely onto green grounding screw located at mounting strap. Never connect ground wire to black or white power supply wires
11. Make wire connections (connectors not provided), reference chart below for correct connections and wire accordingly



Connect Black or Red House Wire to:	Connect White House wire to
Black	White
*Parallel cord (round & smooth)	Parallel cord (Square & Ridged)
Clear, Brown, Gold or Black without tracer	Clear, Brown, Gold or Black with tracer
Insulated wire (other than green) with copper conductor	Insulated wire (other than green) with silver conductor

Note: when parallel wire (SPT-1 & SPT-2) is used, the neutral wire is square shaped or ridged and the other wire will be round in shape or smooth.)

12. Raise canopy to ceiling
13. Secure canopy in place by tightening threaded ring onto screw collar loop.
14. Please refer the reverse side for detail of each fixture assembly for this series.