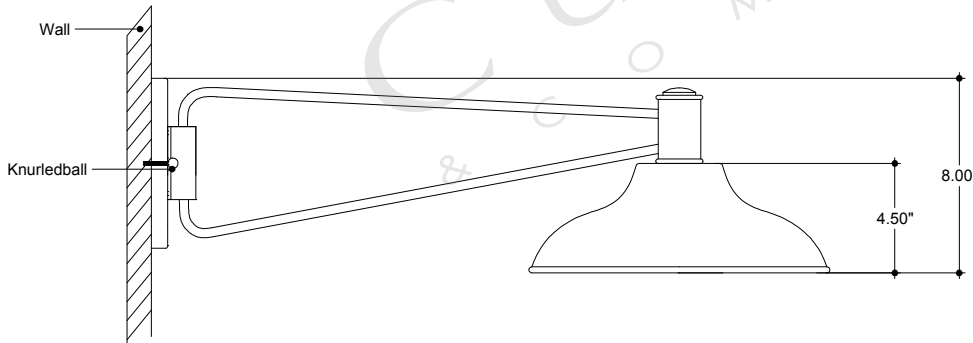
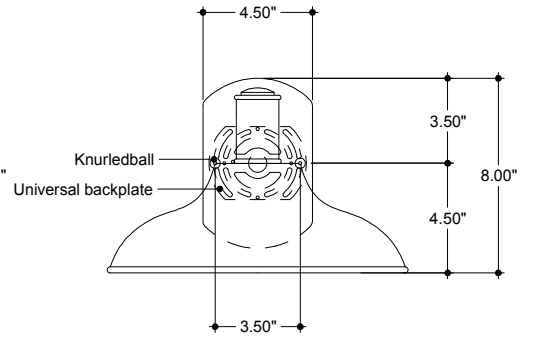


TOP VIEW



SIDE VIEW



FRONT VIEW

CURREY & COMPANY