

# CRYSTORAMA

LIGHTING THE WAY FOR SIXTY YEARS

## ASSEMBLY INSTRUCTION MODEL #8006-PN

### WARNING:

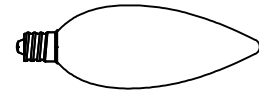


Electrical Danger



Turn Power Off

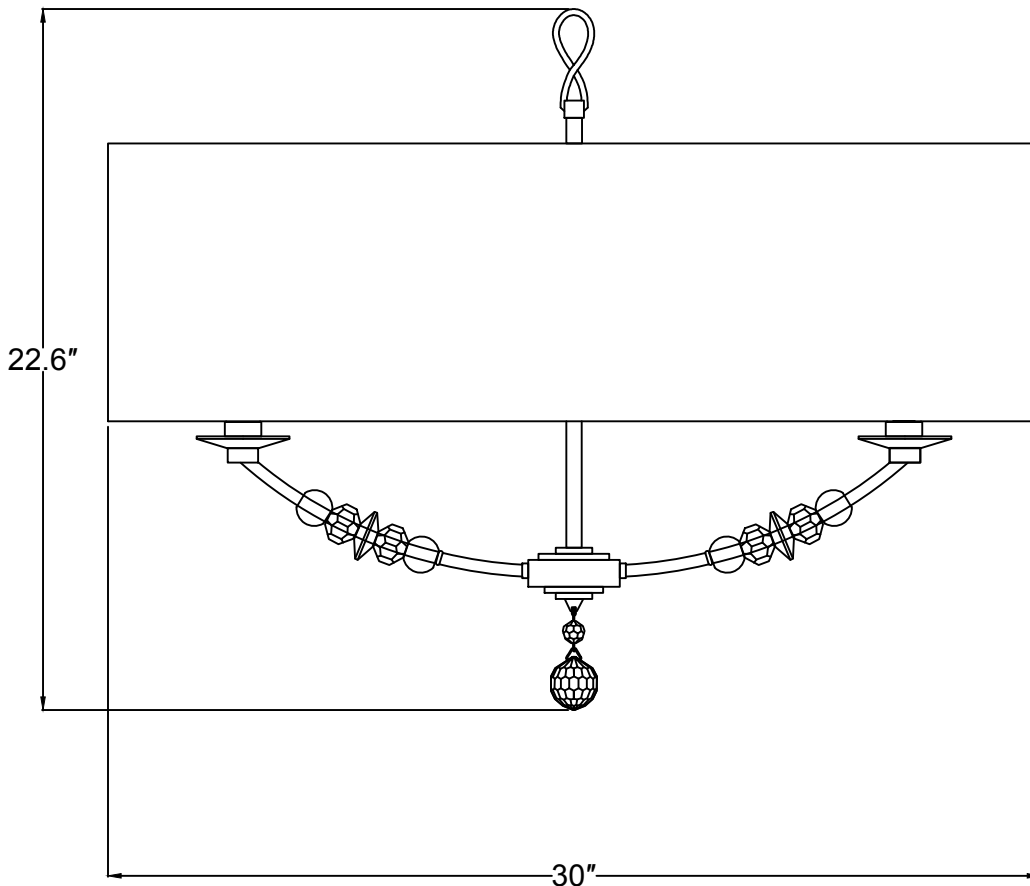
All electrical components must be installed by a licensed electrician in accordance with the National Electric Code and the appropriate local electrical codes.




You will need 6-Cand.BULB  
60 watts Max Bulb not included  
USE LED BULBS FOR EXTENDED USE

### How to Install

1. Insert the shade spoke in between top and bottom knurled nut.
2. Secure the shade by twisting the top knurled nut.
3. Install the recommended bulbs (not included) into each socket.
4. Screw the big crystal ball into the bottom box.



 **WARNING:** This product can expose you to Lead, which is known to the State of California to cause cancer and/or birth defects or reproductive harm. For more information go to [www.P65Warnings.ca.gov](http://www.P65Warnings.ca.gov)

# CRYSTORAMA

LIGHTING THE WAY FOR SIXTY YEARS

PART NUMBER MODEL #8006-PN

## Part Number

### Part Numbers

A. Mounting Hardware

(1) Mounting Plate

(2) Canopy Screws

(2) Anchors

B. (1) Canopy;  $\varnothing 5.5" \times 0.98" \text{h}$ ; XMO8005PNCAN5.5IN

C. (1) Screw Collar Loop

D. (2) Quick Link

E. (1) Chain;  $72" \text{L} \times \varnothing 4.0 \text{mmT}$ ; XMO8005PNCHA4MM

F. (1) Fixture Loop

G. (2) Knurled Nut

H. (1) Fabric Shade;  $30" \times 30" \times 9" \text{h}$ ; XMO8006PNSHA30IN

I. (6) Socket

J. (6) Arm;  $\varnothing 0.37"$

K. (5) Crystal; 5 in each arm

L. (1) Crystal Ball;  $\varnothing 2"$ ; XMO8006PNCRYBALL

