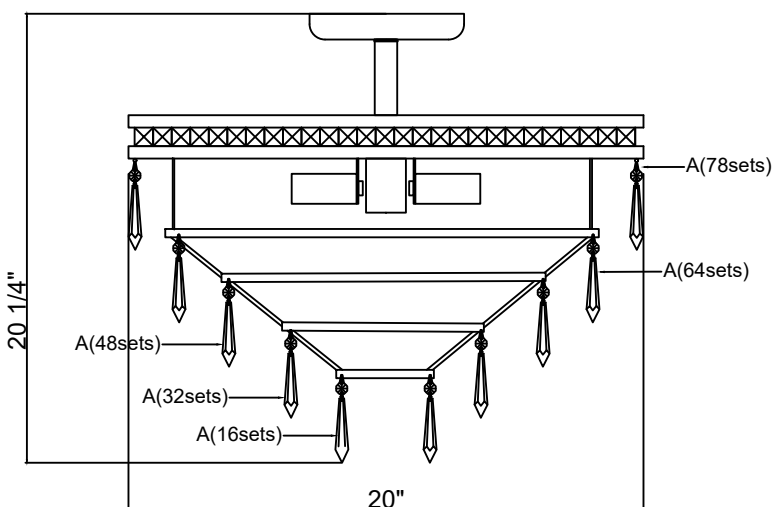
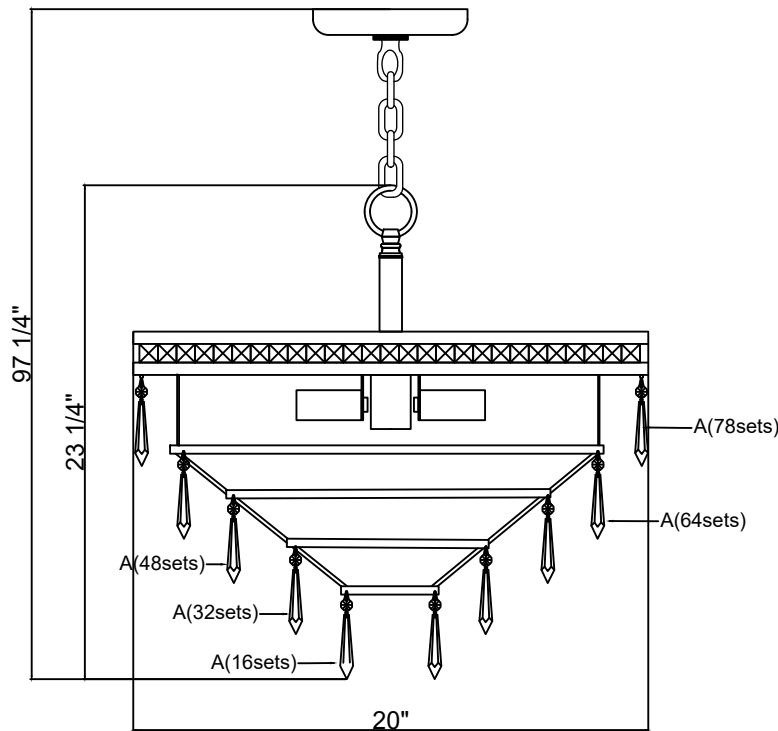


# CRYSTORAMA

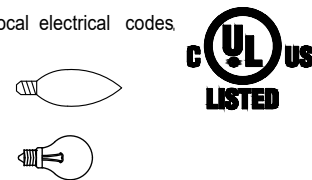


LIGHTING THE WAY FOR SIXTY YEARS

## ASSEMBLY INSTRUCTION MODEL #5264-OS-CL-MWP\_CEILING



All electrical components must be installed by a licensed electrician in accordance with the National Electric Code and the appropriate local electrical codes.



You will need 6- Candelabra Base Bulb and 1-Medium Base Bulb.

40 Watts recommended 60 Watts Max.  
USE LED BULBS FOR EXTENDED USE

The fixture is Damp rated

### HOW TO INSTALL:

Place the fixture parts on a soft cloth-covered platform before installation of fixture.

#### For Hanging:

1. Lock the threaded nipple into the coupling of the fixture body then put the rod and the check ring onto the threaded nipple and lock them with the fixture loop.
2. Hang the basket ring on the crossbar of the fixture body using the hooks attached to the basket ring.
3. Install the mounting plate onto the outlet box.
4. Decide the desired hanging height and adjust the chain to the correct length.
5. Raise the fixture up and do the wire connection. Attach the canopy over the mounting plate and secure with ball nuts.
6. Dress the crystals as illustrated.

#### For Ceiling:

1. Same installation step#1 and #2 as above for the hanging.
2. Remove the fixture loop from the fixture body and the loop from the ceiling canopy. Place the canopy over the top of the fixture body and secure with the ball nuts.
3. Dress the crystals as illustrated.

### Crystal Sets

A. 238 Sets. (1)14mm + (1)60mm plug

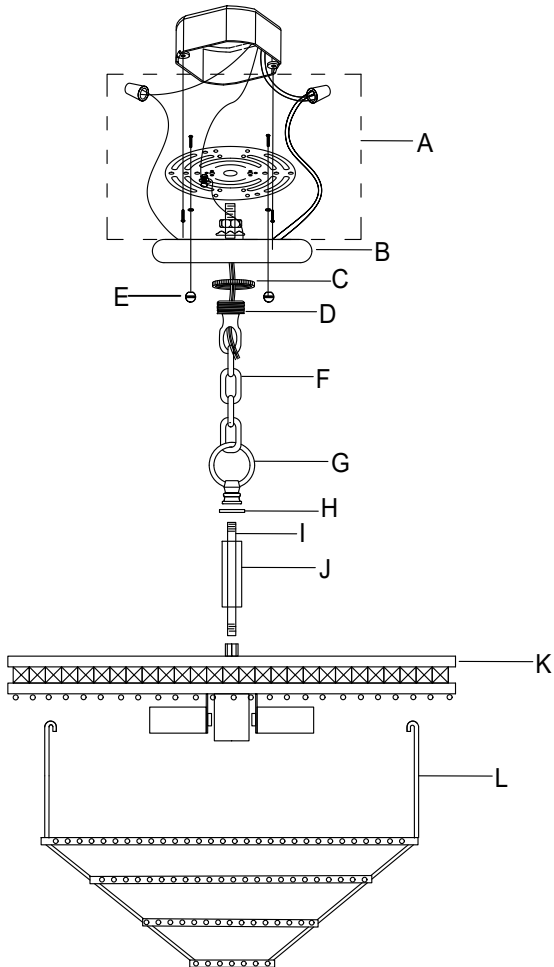
**⚠ WARNING:** This product can expose you to Lead, which is known to the State of California to cause cancer and/or birth defects or reproductive harm. For more information go to [www.p65warnings.ca.gov](http://www.p65warnings.ca.gov)

# CRYSTORAMA



LIGHTING THE WAY FOR SIXTY YEARS

## ASSEMBLY INSTRUCTION MODEL #5264-OS-CL-MWP\_CEILING



## Part Number

### Part Numbers-For Hanging

- A. (1)-Mounting hardware
  - Mounting plate x1.
  - Wire connector x2.
  - Lock washer x1.
  - Hex nut x1.
  - nut x2.
  - Threaded Nipple x1.
  - Screw x4.
- B. (1)-Canopy (W6"xH1.4")-XSN5264OSCAN6IN
- C. (1)-Collar Ring
- D. (1)-Collar Loop-XSN5264OSLOOP
- E. (2)-Ball nut-XSN5264OSBANUT
- F. (1)-Chain (4mmx72")-XSN5264OSCHA4MM
- G. (1)-Fixture Loop
- H. (1)-Check ring
- I. (1)-Threaded nipple; H5"
- J. (1)-Rod ; H5"-XSN5264OSROD5IN
- K. (1)-Fixture body
  - Coupling
  - Banding; Ø20"
  - Candelabra Socket x6 & Medium Socket x1.
  - 78 round crystal pins.
- L. (1)-Basket ring ; Ø14 1/2"
  - First layer of ring ; 64pin holes.
  - Second layer of ring ; 48pin holes.
  - Third layer of ring ; 32pin holes.
  - Fourth layer of ring ; 16pin holes.

## Part Number

### Part Numbers-Conversion kit For Ceiling

- M. (1)-Rod ; H3 1/4"-XSN5264OSROD3.25IN
- N. (1)-Threaded nipple; H3 3/8"

