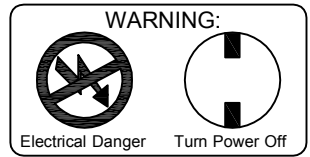
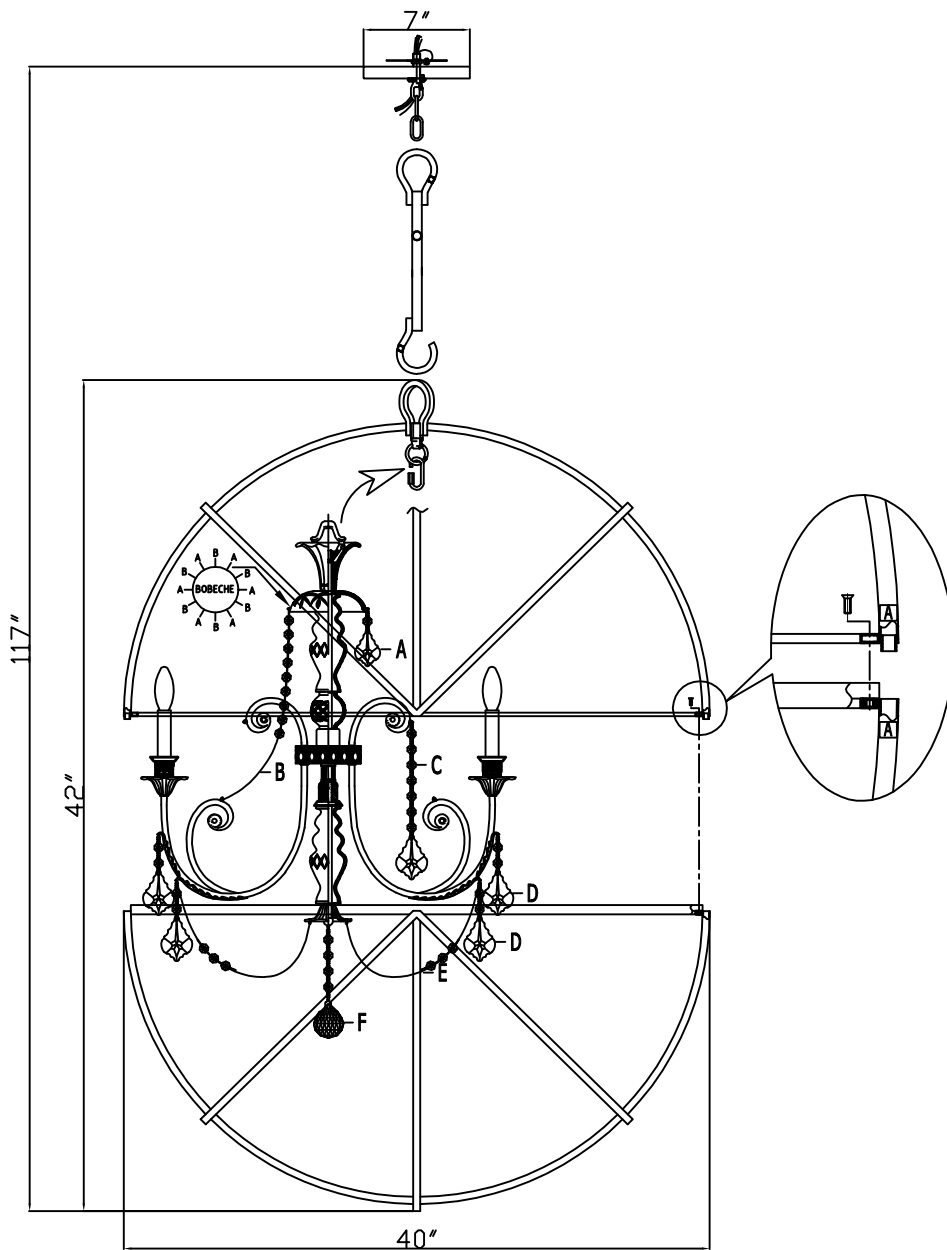


# CRYSTORAMA

LIGHTING THE WAY FOR SIXTY YEARS

ASSEMBLY INSTRUCTION MODEL #9219-OS-CL-MWP



All electrical components must be installed by a licensed electrician in accordance with the National Electric Code and the appropriate local electrical codes.



You will need 6 - Cand. Bulb  
 40 Watts Recommended  
 60 Watts Max  
 USE LED BULBS FOR EXTENDED USE

#### How to Install

1. Place the top glass column into the coupler on the top of wire house.
2. Install the bulb(not included) to the socket.
3. Put the bottom cage and top cage together with screws.
4. Dress the crystal drop inside fixture body.
5. The canopy of the fixture can now be mounted to the ceiling.

#### Crystal sets

- A. 6 pieces. (1)14mm+(1)50mm.
- B. 6 pieces. (19)14mm.
- C. 6 pieces. (7)14mm+(1)76mm.
- D. 12 pieces. (2)14mm+(1)76mm.
- E. 6 pieces. (16)14mm.
- F. 1 piece. (4)14mm+(1)50mm.

- A = (1\*50mm Crystal + 1\*14mm Jewel) \* 6PCS
- B = 19\*14mm Jewels Strand \* 6PCS
- C = (1\*76mm Crystal + 7\*14mm Jewels) \* 6PCS
- D = (1\*76mm Crystal + 2\*14mm Jewels) \* 12PCS
- E = 16\*14mm Jewels Strand \* 6PCS
- F = (1\*50mm Ball + 4\*14mm Jewels) \* 1PC



**WARNING:** This product can expose you to Lead, which is known to the State of California to cause cancer and/or birth defects or reproductive harm. For more information go to [www.P65Warnings.ca.gov](http://www.P65Warnings.ca.gov)

# CRYSTORAMA

LIGHTING THE WAY FOR SIXTY YEARS

PART NUMBER MODEL #9219-OS-CL-MWP

