

Please go to www.quoizel.com for product cleaning tips. Go to the **Care + Maintenance** selection.

Tools Required: Flathead screwdriver, Phillips screwdriver, pliers, wire cutters, wire strippers, electrical tape, safety glasses.

Light Source: (2) A19 Medium Base Bulbs 100W Maximum, bulbs not included.

Estimated Assembly Time: 30-45 minutes

Preparation: Identify and inspect all parts before beginning installation. Check package content list and diagrams below to be sure all parts are present. If any parts are missing or damaged, do not attempt to assemble, install, or operate the fixture. Contact your original place of purchase.

⚠ Warnings and Cautions

Turn off electricity at circuit breaker or main fuse box before installation. Consult a licensed electrician if in doubt.

These instructions are provided for your safety. It is very important you read them completely before installing the fixture. We strongly recommend that a licensed, professional electrician perform the installation.

Disconnect fixture from power source before replacing bulbs. Make sure bulbs are given sufficient time to cool before removal.

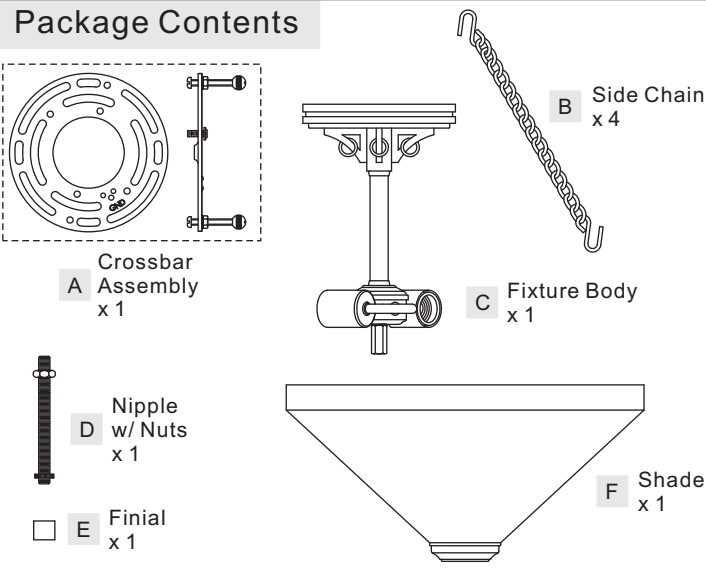
⚠ Care of Tiffany Style Shade

A new tiffany lamp shade has an oil film applied to the shade that protects the tiffany shade from scratches during shipment. If the oil applied is too heavy you can remove the excess oil film with a paper towel. Gently wipe away the excess oil.

For general cleaning of tiffany shades use a gentle lemon oil-based furniture polish applied to a soft cloth and wipe gently.

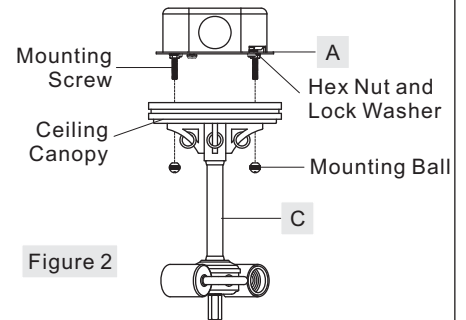
If a white powder appears on the soldered joints of the tiffany shade this is a normal oxidation process. Use a small amount of lemon oil or mineral oil applied directly to oxidized areas and the soldered area will return to like new.

Package Contents



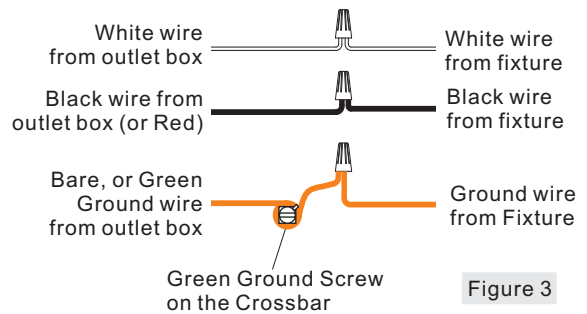
STEP 2 – Test Fitting Ceiling Canopy to Crossbar Assembly

A. Remove mounting balls from the Crossbar Assembly (A). Fit the ceiling canopy and Fixture Body (C) to the Crossbar Assembly (A) and secure with mounting balls. Note: The ceiling canopy should be snug against the ceiling and the mounting balls. If not, adjust the length of the mounting screws on the Crossbar Assembly (A) by unscrewing the preassembled hex nut and lock washer and then screwing the mounting screws in or out of the crossbar until the correct length is achieved. Once the ceiling canopy and Fixture Body (C) is secure, remove the mounting ball and Fixture Body (C).



STEP 3 - Wire Connections

A. Wrap bare or green ground wire around green ground screw on the crossbar, no less than 2 inches from the end of the wire. Tighten the green ground screw.
B. Use standard wire connectors (not included) to make all wire connections. Twist connectors until wires are tightly joined together. Wrap each connection with approved electrical tape and carefully stuff all the connected wires into the Outlet Box.



STEP 1 – Installing the Crossbar Assembly

A. Pass the supply wires from outlet box through the Crossbar Assembly (A). Attach the Crossbar Assembly (A) to the outlet box with the head of the green ground screw facing you. Secure the Crossbar Assembly (A) with outlet box screws (not included). Tighten until snug.

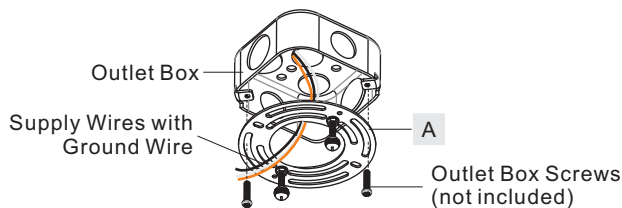


Figure 1

Figure 3

STEP 4 - Install the Fixture

A. Carefully tuck all wires into the outlet box and position the Fixture Body (C) over the outlet box. Align the holes in the ceiling canopy with the mounting screws, then attach the Fixture Body (C) using the previously removed mounting balls. Hand tighten until snug.

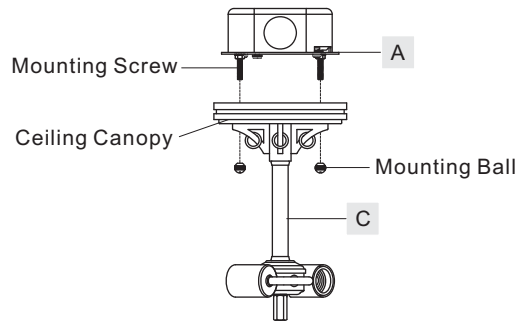


Figure 4

STEP 5 - Install Nipple w/ Nuts

A. Thread the hex nut end of the Nipple w/ Nuts (D) onto the hex coupling on the bottom center of the Fixture Body (C). By using pliers, thread the hex nut against the hex coupling and hand tighten until snug.

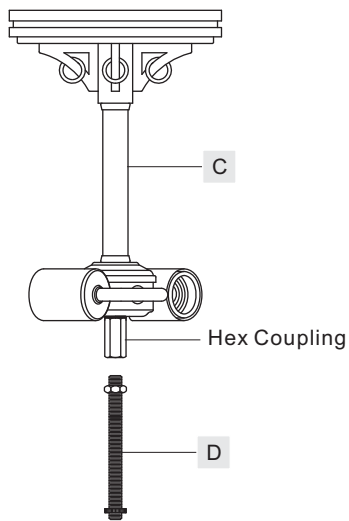


Figure 5

STEP 6 - Install Shade and Bulbs

- Thread the knurled nut on the bottom end of the Nipple w/ Nuts (D) to the middle of the nipple. Place the Shade (F) over the end of the nipple. Attach one ends of the Side Chains (B) onto the loops on the side of the ceiling canopy. Attach the other ends of the Side Chains (B) onto the Hangers inside of the Shade (F).
- Thread the Finial (E) onto the nipple and hand-tighten until snug.
- Thread the knurled nut on the nipple against the inner bottom of the Shade (F) and hand tighten until snug.
- Insert bulbs onto sockets and screw snugly into place.

Your fixture is now assembled and ready to use. Enjoy!

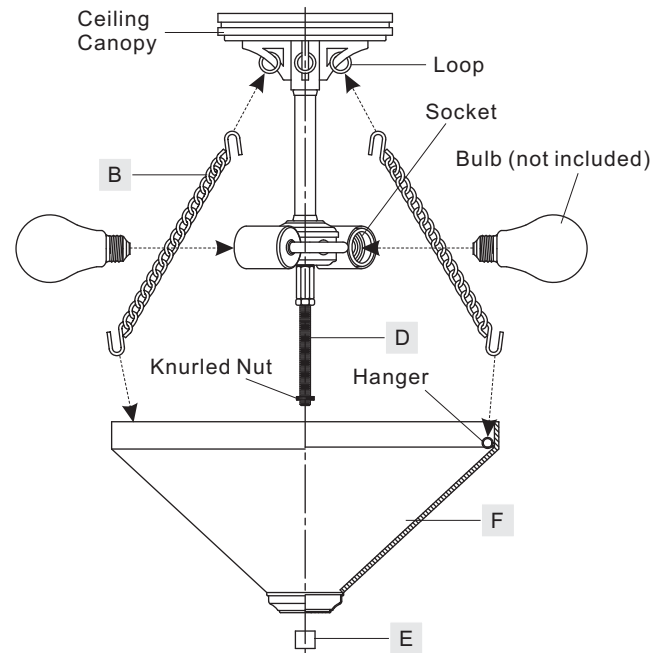


Figure 6