

WARNING! SHUT POWER OFF AT FUSE OR CIRCUIT BREAKER .

ASSEMBLING THE FIXTURE (Fig.2)

1. Attach the finial(E) to the top pipe nipple of fixture body(F), attach the finial(G) to the fixture body's tube of side, raise the cover(K) and finial(L) to the bottom pipe nipple of fixture body, then lock them until tight.
2. Raise the ring(H) to top of the glass(I), carefully lift the glass assembly and spacer ring(M) to the lamp holder of fixture body , lock it with the screw shell(J).

HANGING THE FIXTURE (Fig.1)

1. Shut off the power at the circuit breaker and remove old fixture from ceiling, including the old hardware.
2. Carefully unpack new fixture and lay all the parts on a clear surface.
3. Thread the two Studs(A) about 1/4" into the pre-drilled holes in the Mounting strap spaced the same distance apart as the holes in the canopy(B).
4. Attach the Mounting strap to the Junction Box with the two Junction Box Screws as shown. The side of the Mounting strap marked "GND" must face out.

CONNECTING THE WIRES (Fig.3)

1. Take the black wire from the ceiling junction box and the smooth wire leg from the fixture and twist bare ends together. Twist wire connector onto end of wire until snug.
2. Repeat same process with white junction box wire and ribbed wire leg of fixture wire. NOTE: Twist wires together in the same direction you twist the wire connector onto wires.
3. If your junction box has a grounding wire (green or bare copper), attach this wire and the bare copper wire from the fixture together as step 1. If junction box has no ground wire, attach the bare copper fixture wire to the green ground screw on the single bar.
4. Tuck these wire connections neatly into the ceiling outlet box and then raise the fixture canopy all the way to the ceiling.
5. Raise the canopy(B) onto the junction box, aligning screws on mounting strap with mounting holes in canopy and lock it securely with the ball nuts(C).
6. Install the light bulbs in accordance with the fixture specifications **NOTE: DO NOT EXCEED THE SPECIFIED WATTAGE.**

Your installation is now complete Return power to the junction box and test the fixture.

Fig.1

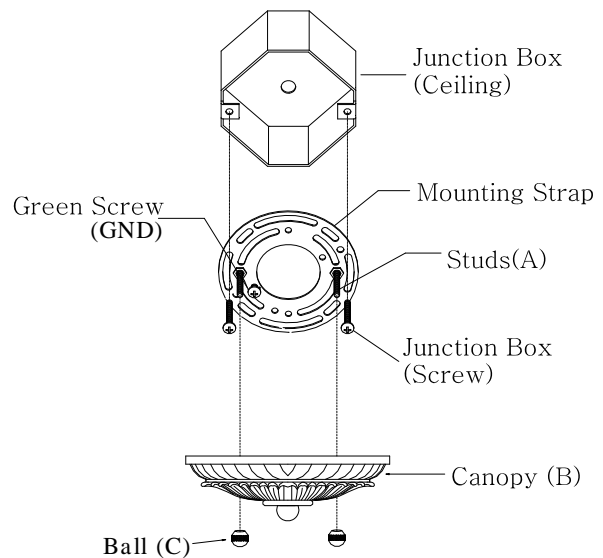


Fig.2

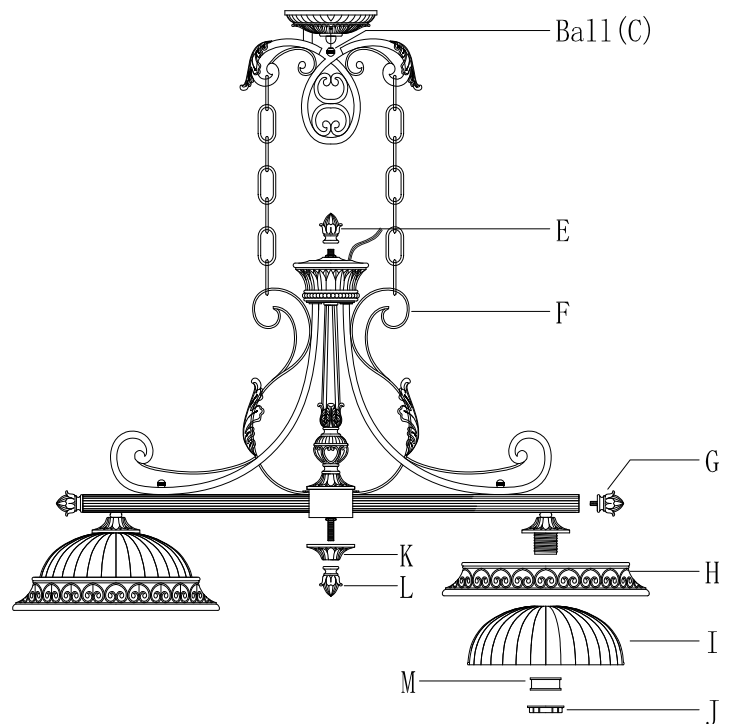


Fig.3

