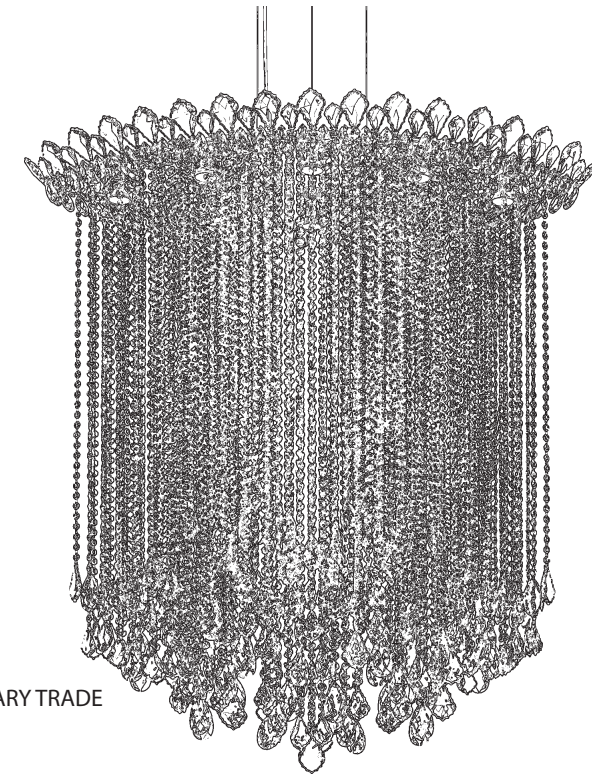




SCHONBEK®

**TRILLIANE STRANDS
TR4813N- __ __ A**



THIS DESIGN IS THE PROPRIETARY TRADE DRESS/TRADEMARK OF SWAROVSKI LIGHTING, LTD.

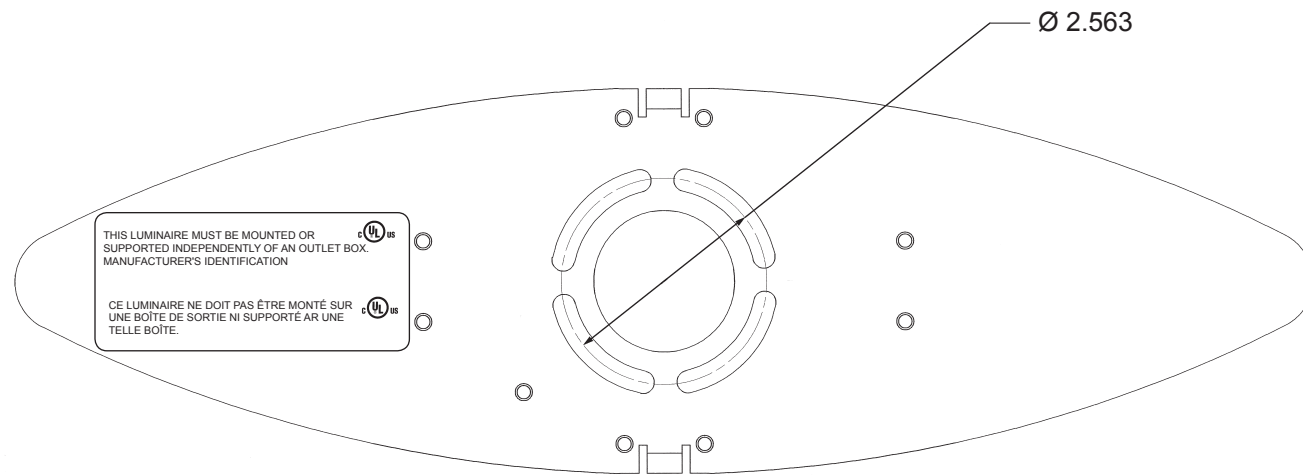
8 Lights
Height: 48"
Length: 45"
Width: 25"
Hanging Weight: 83lbs.



SCHONBEK®

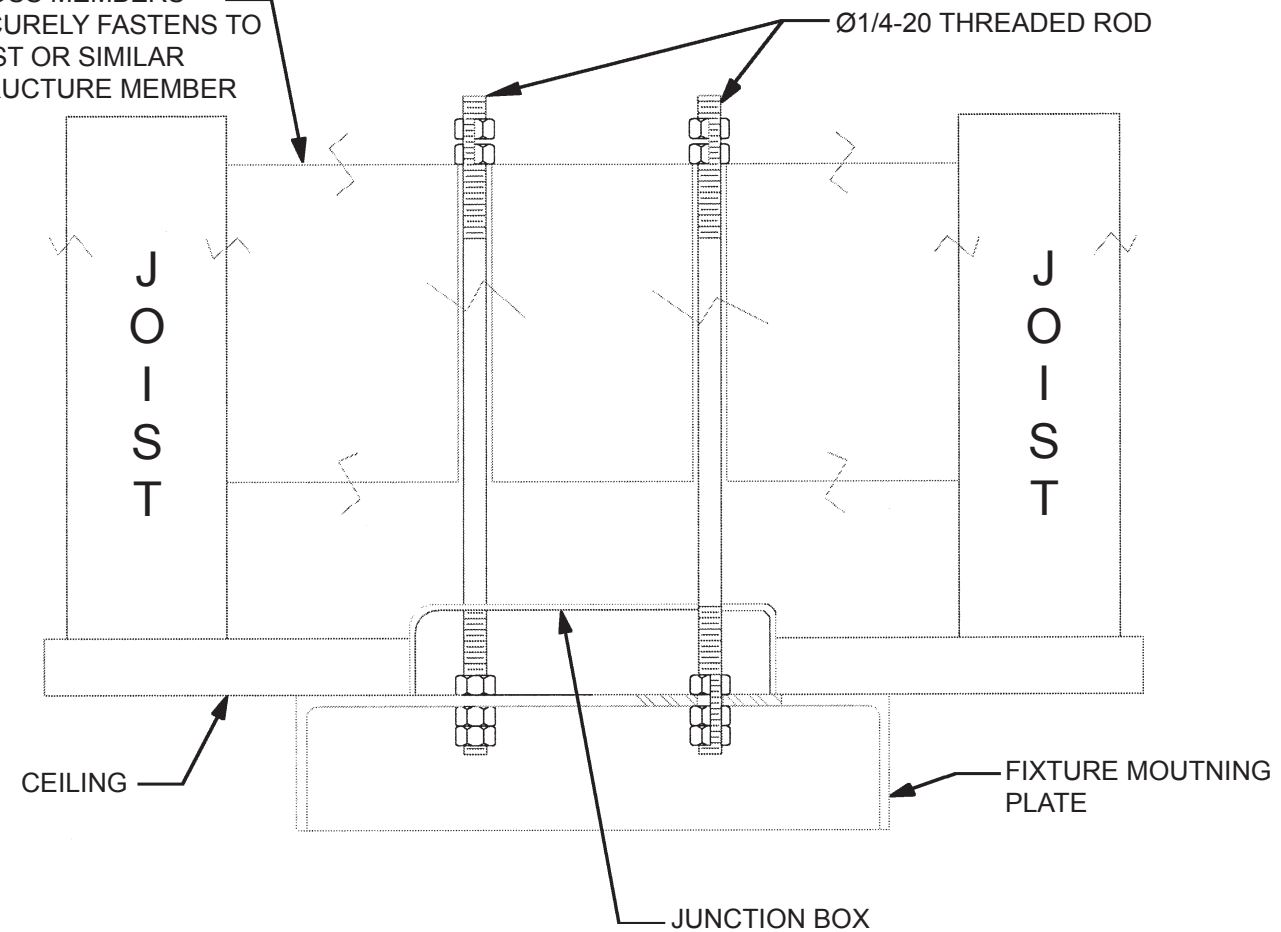
MAX <u>50</u> W	110-120 V						

NOTE: INSTALLER IS SOLELY RESPONSIBLE FOR PROPER MOUNTING!



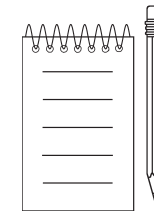
PLAN VIEW OF MOUNTING BRACKET

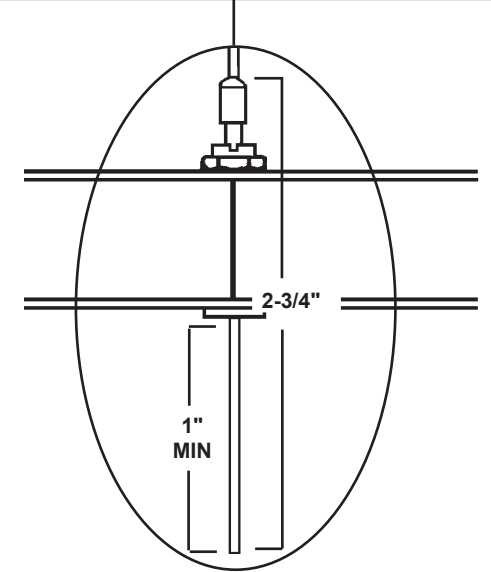
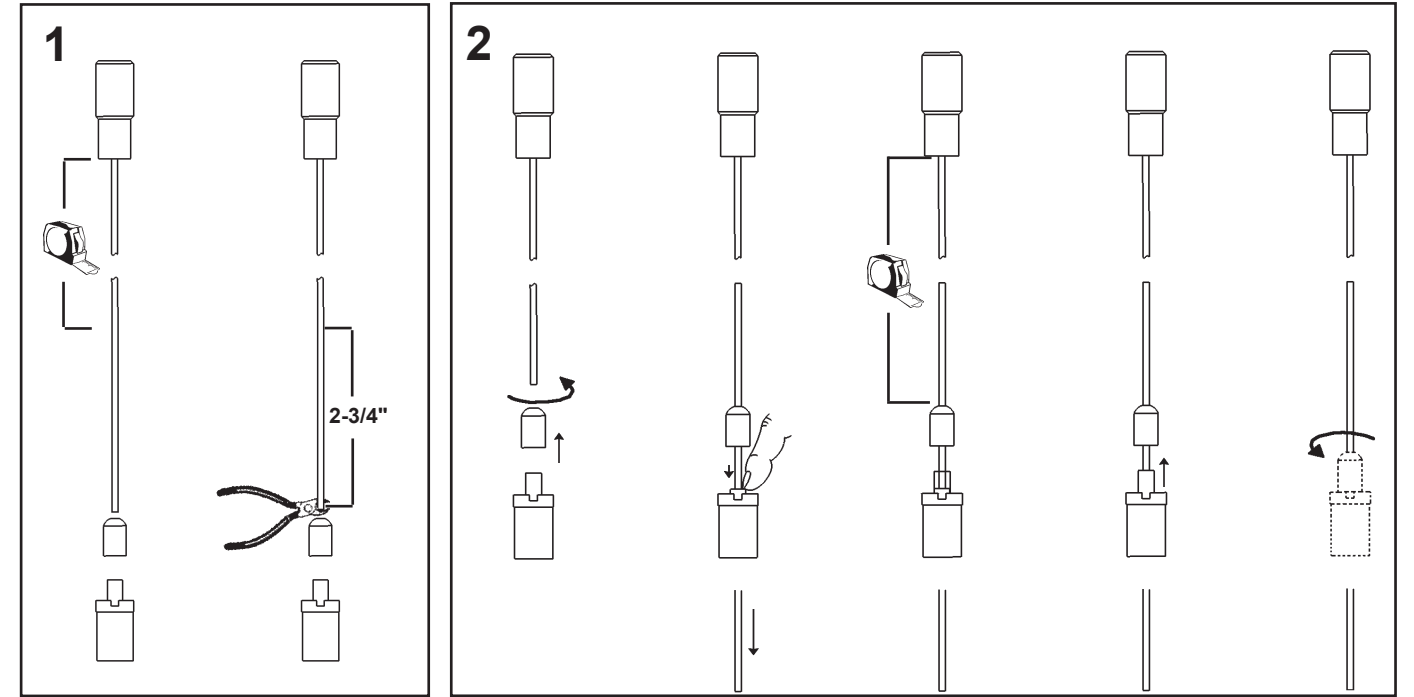
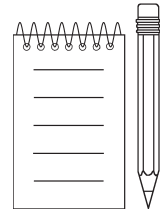
CROSS MEMBERS SECURELY FASTENS TO JOIST OR SIMILAR STRUCTURE MEMBER

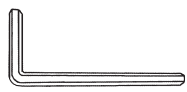


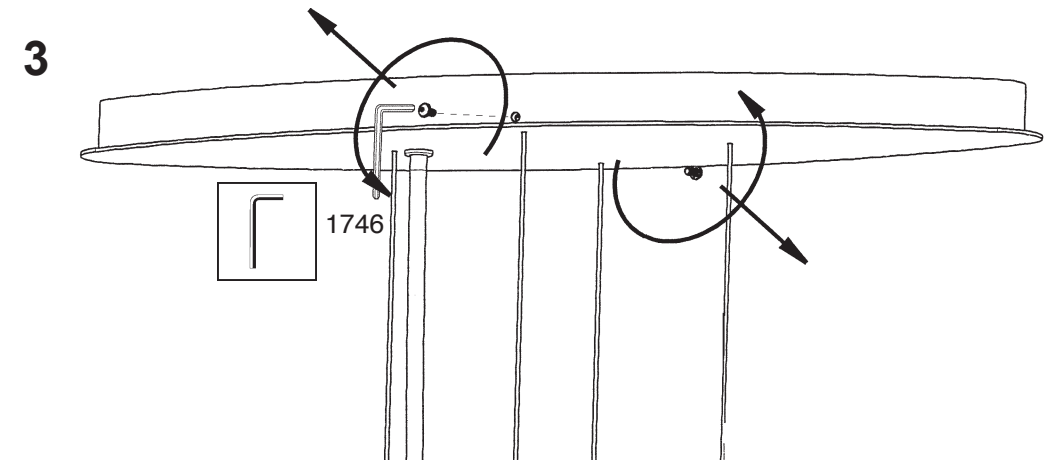
WARNING:

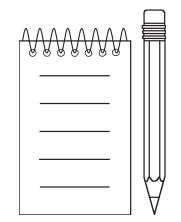
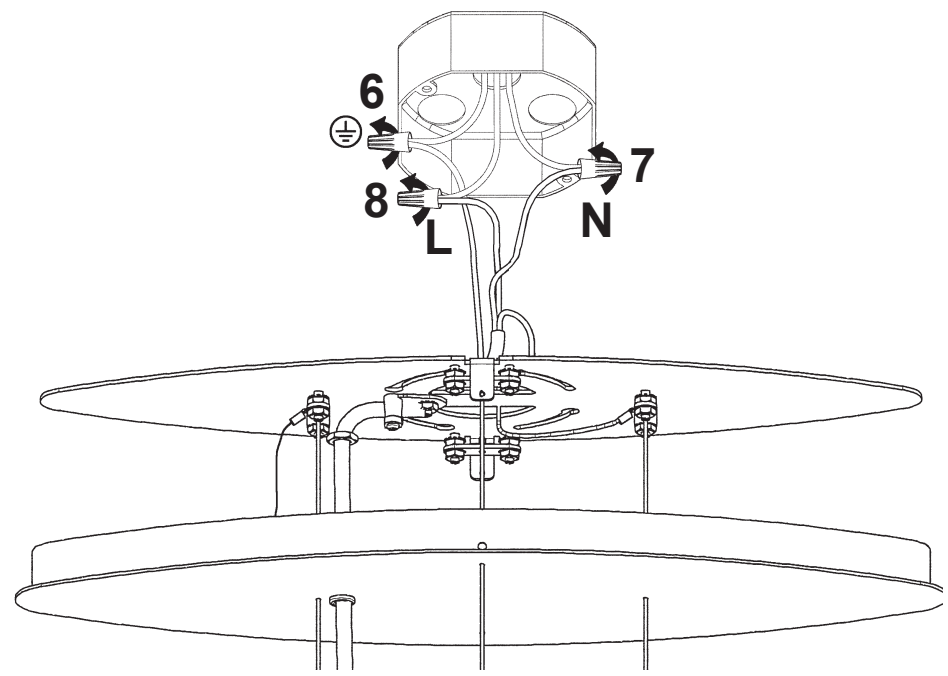
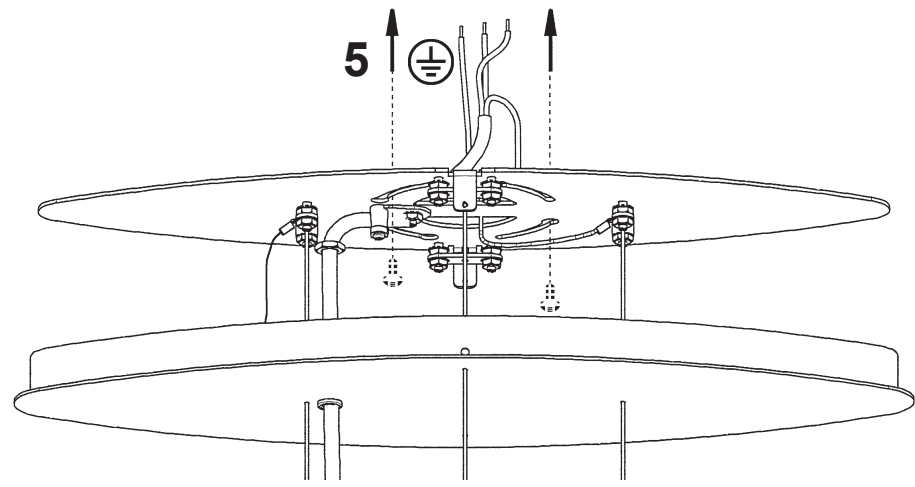
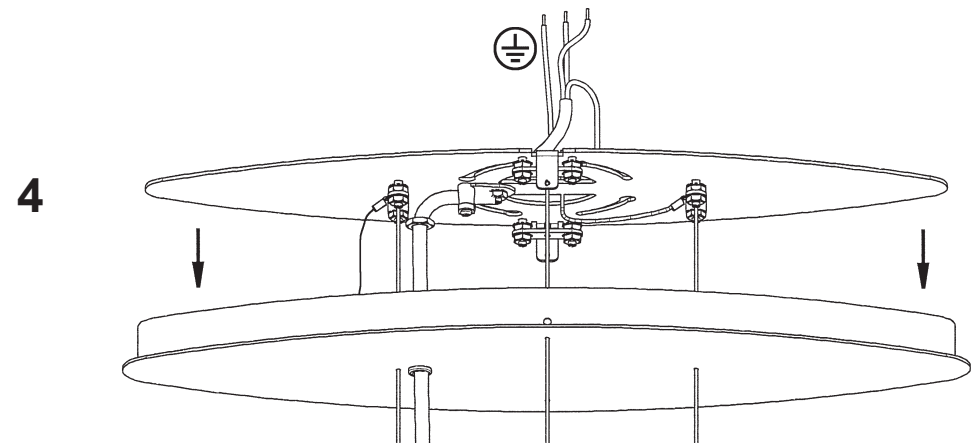
MOUNTING CONFIGURATION AND HARDWARE MUST HOLD 4X THE WEIGHT OF THE FIXTURE. MOUNTING DESIGN AND FIXTURE INSTALLATION SHOULD BE CONDUCTED BY A QUALIFIED LICENSED PROFESSIONAL.

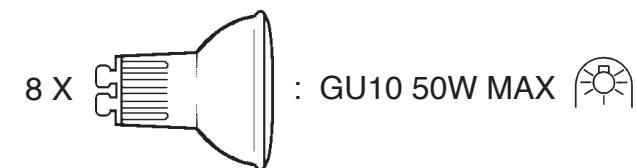
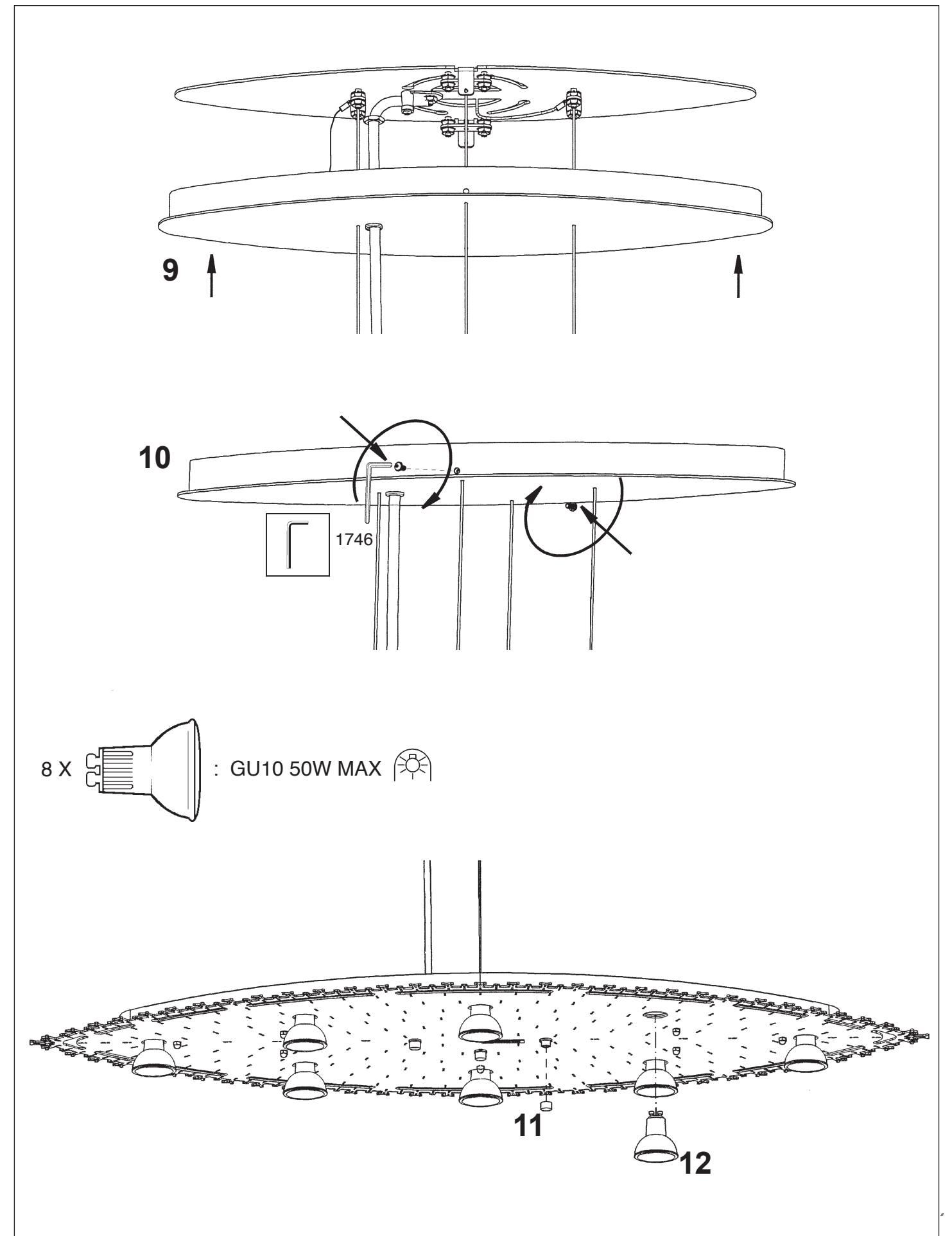
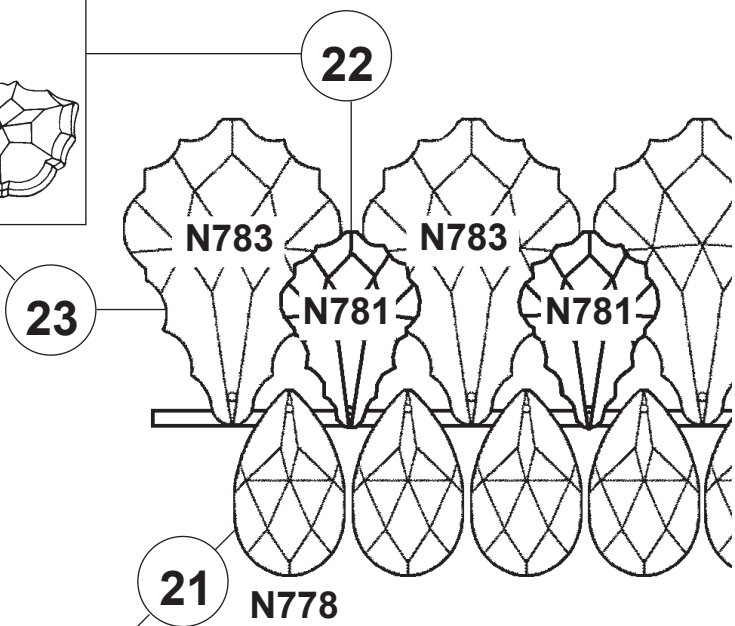
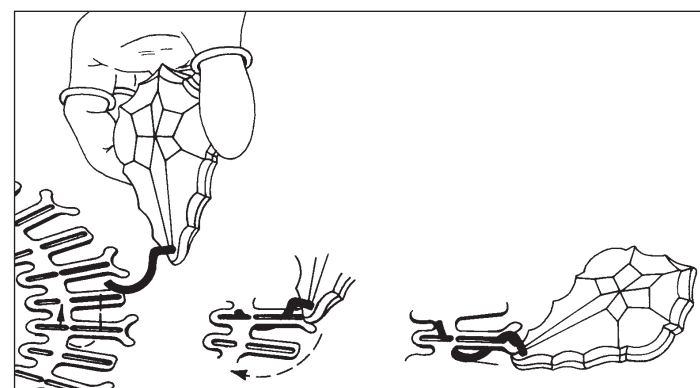
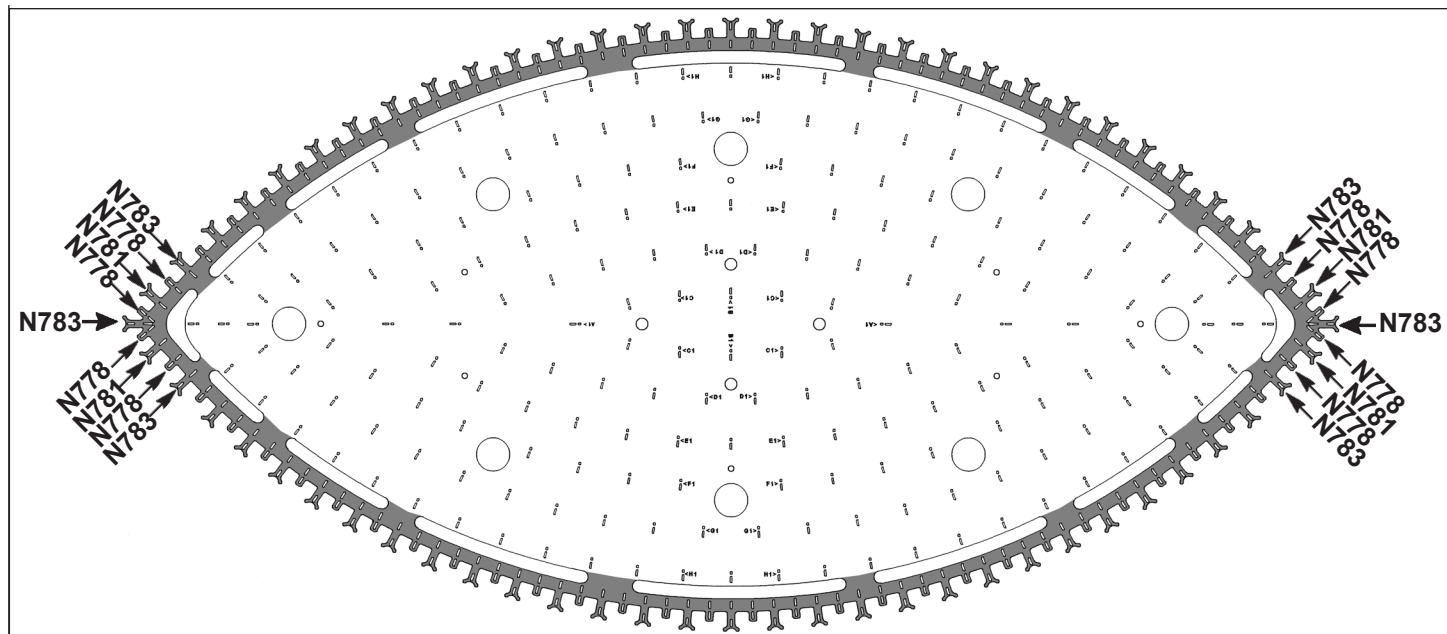


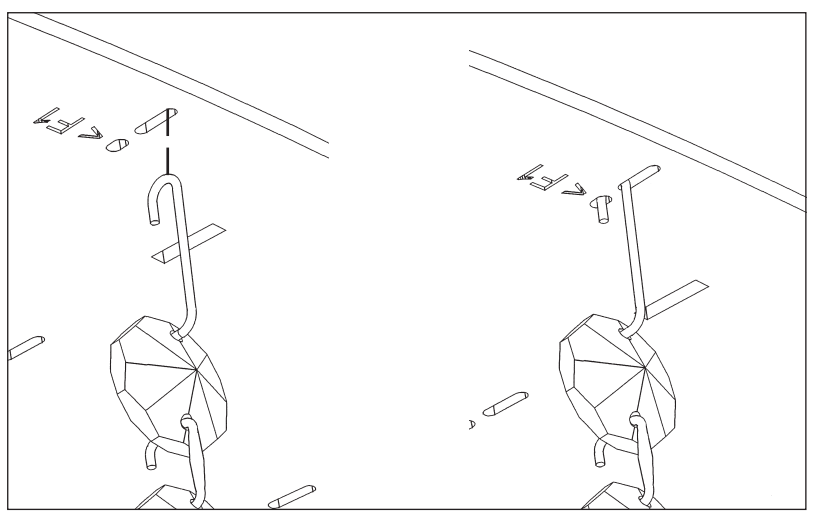
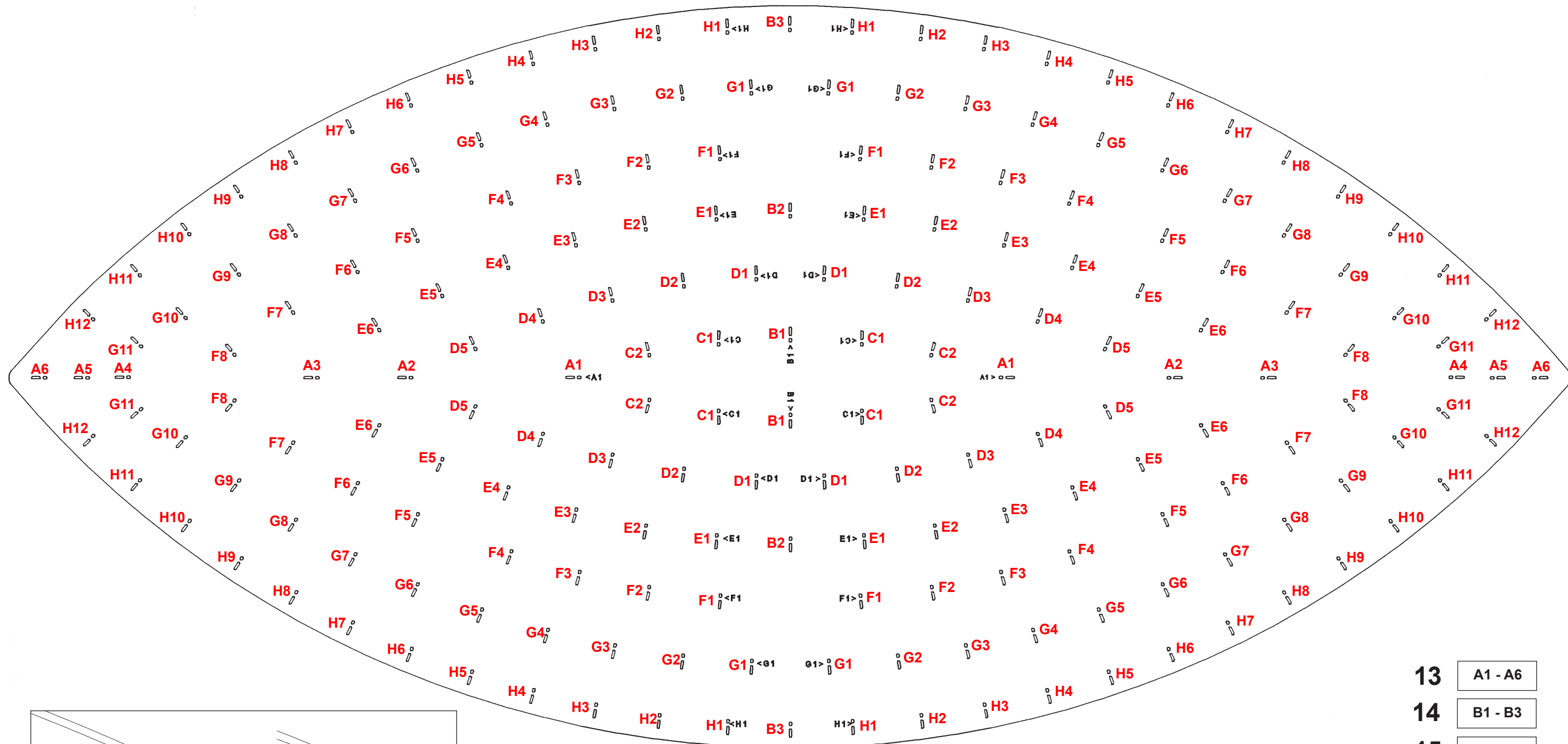


1 X  : 1746









After hanging all trim, remove labels from crystals. If residue remains, wipe off crystal with a soft, dry cloth.

- 13** A1 - A6
- 14** B1 - B3
- 15** C1 - C2
- 16** D1 - D5
- 17** E1 - E6
- 18** F1 - F8
- 19** G1 - G11
- 20** H1 - H12