

⚠ WARNING

RISK OF ELECTRIC SHOCK

- Do not use in wet locations.
- Use indoors only.
- Turn power off before servicing - see instructions.
- Properly ground fixture.
- Ensure that no bare wires are exposed outside the electrical connections.

BULB MAY SHATTER AND CAUSE INJURY IF BROKEN

Do not use excessive force when installing bulb.

RISK OF BURN

- Allow bulb to cool before handling.

INSTALLATION PROCEDURES

1. Turn off power.

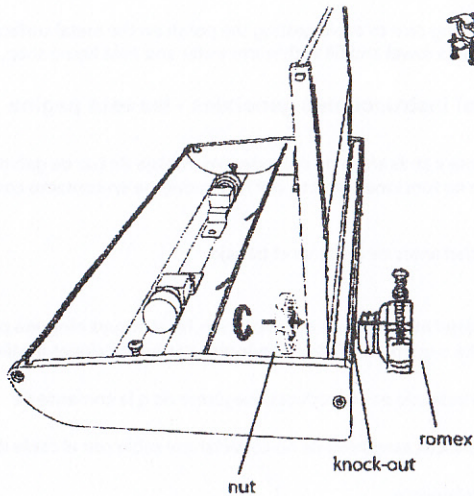
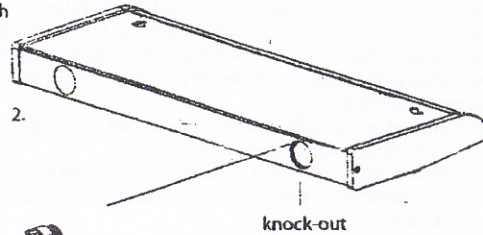
Note: All installations should comply with local electrical codes. If you have any doubts concerning installation contact a qualified licensed electrician.

2. Knock out the hole on the back of the fixture through which the wire is supposed to go.

3. Hold the screw nut of the Romex connector sticking to the inside surface.

4. Screw in the connector through the metal case.

5. Pull romex through connector and tighten screws.

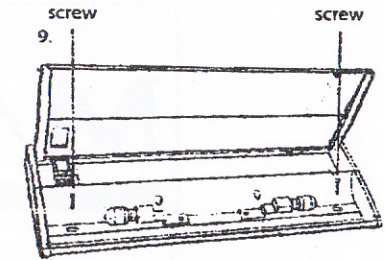
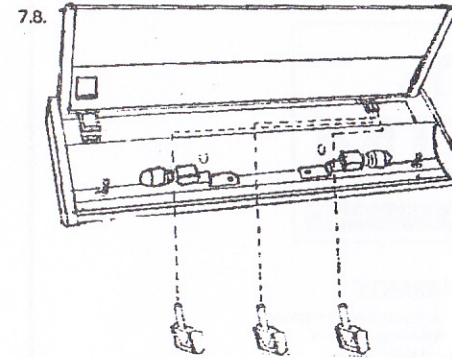


6. Push the 3 wires (black, white and green) through the wire tube.

7. Push the wires into the appropriate connector:

- White to white
- Black to black
- Green to green

8. Install the fixture using provided screws.



OPENING DIFFUSER:

1. Turn off fixture and allow to cool.
2. Place finger tip on tab of each diffuser end cap.
3. Slide top and diffuser forward.
4. Lower that edge of diffuser.

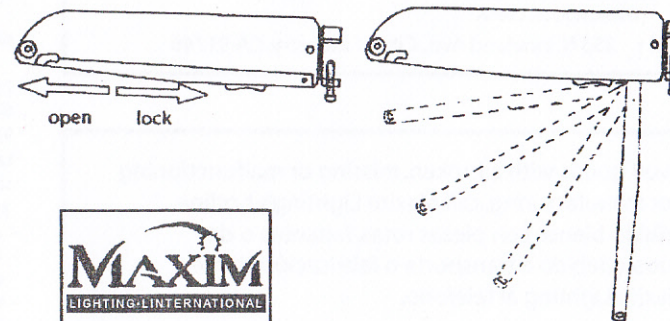
CLOSING DIFFUSER:

1. Swing edge of diffuser with tabs up toward fixture until pegs by tabs slip into slot at the end of fixture end caps.
2. Slide top and diffuser towards rear of fixture to lock.

BULB REPLACEMENT INSTRUCTIONS

Re-lamp only with Max. 20 Watt, 120 Volt, TYPE T-4 G8 base xenon bulb.

1. Turn the light off and allow time for bulb (lamp) to cool before handling.
2. Open the glass cover with your finger tips (See illustration).
3. Using a cloth or towel grasp the bulb firmly and pull bulb out of socket. Insert new bulb using a paper towel or cloth to hold the bulb.
4. Position the glass lens by sliding tabs forward allowing pegs to seat in slots.



MODELS
87830WT
87831WT
87832WT
87833WT
87834WT
87830MB
87831MB
87832MB
87833MB
87834MB

