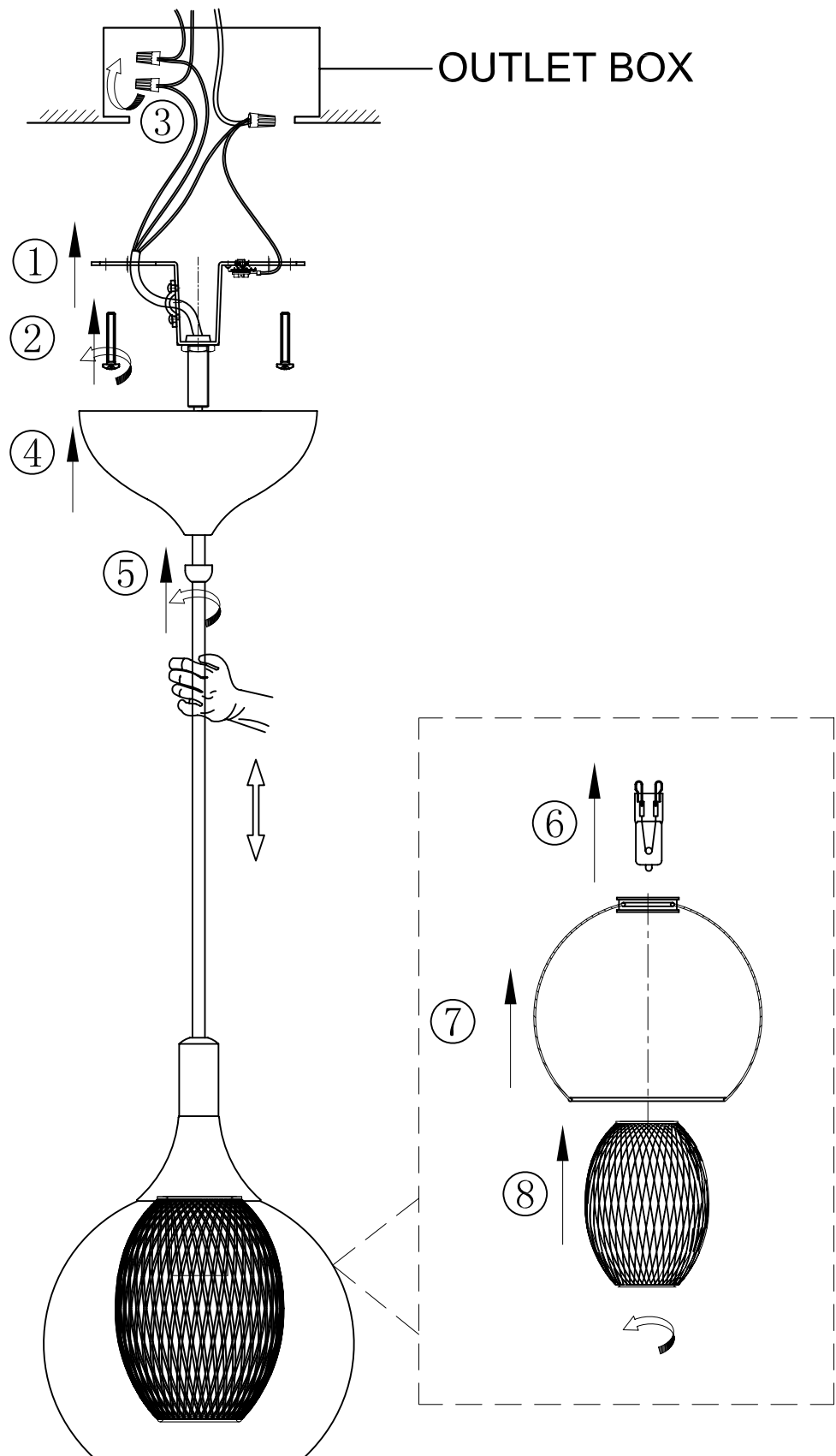


# INSTALLATION INSTRUCTION

Item No.: 905MP



## FEATURE

●120V  $\sim$  60HZ

●Lamp Type: "Xenon"G9 MAX 40W

The lamp is for indoor use only