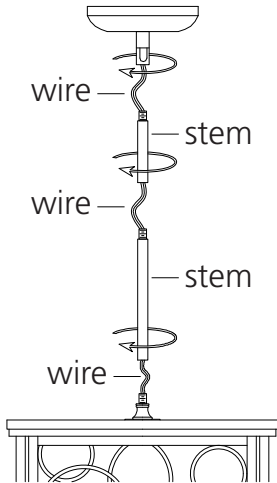


Item No. 3284

Drawing 1 – Stem Installation



start here

1

1. Find a clear area in which you can work.
2. Unpack Fixture and glass from carton.
3. Carefully Review Instructions Prior to assembly.

***** The construction of this fixture will be accomplished by first assembling the stems to the main body, attaching the mounting strap to the junction box, making all necessary electrical connections, hanging the fixture from the ceiling, installing the shade, and then installing the glass lens.**

2

1. Determine the desired height the chandelier will be installed at.
2. The fixture is supplied with a variety of stem lengths. Determine what combination of stems are needed to achieve desired length - see **Drawing 1**.
3. Slip stems over wire and thread first stem onto top of chandelier. Repeat this process until all required stems are threaded together.
4. Slip wire through center of canopy swivel and thread onto stem assembly.

3

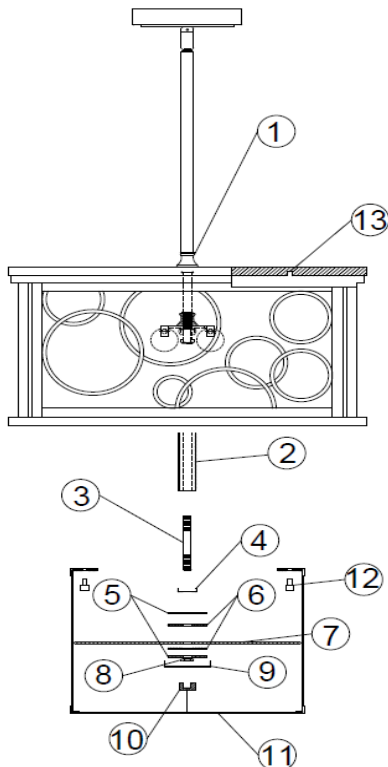
SAFETY WARNING: READ WIRING AND GROUNDING INSTRUCTIONS (I.S. 18) AND ANY ADDITIONAL DIRECTIONS. TURN POWER SUPPLY OFF DURING INSTALLATION. IF NEW WIRING IS REQUIRED, CONSULT A QUALIFIED ELECTRICIAN OR LOCAL AUTHORITIES FOR CODE REQUIREMENTS.

4

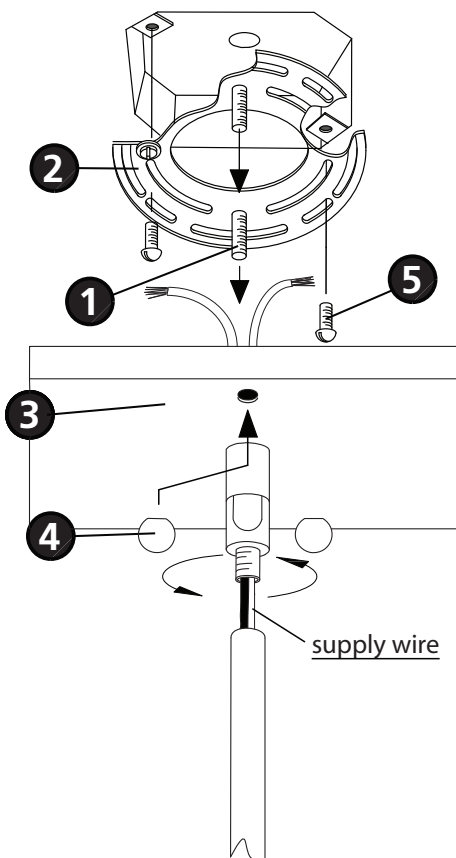
1. Fixture is ready for installation. Please follow instruction sheet **(IS19-93)** to continue assembly.
2. Return to this section of the instruction sheet for shade and glass installation.

1. Before installing Glass, the fixture can be lamped accordingly - see **Drawing 2**.
2. Slide nipple **(3)** through tube **(2)** and thread into wire body.
3. Slide the shade **(11)** into place and screw knobs **(12)** into crossbar **(13)**
4. Slide check ring **(4)** onto nipple followed by one flat steel washer **(5)**, then one rubber washer **(6)**, glass **(7)**, then again with the remaining rubber washer **(6)**, the remaining flat steel washer **(5)**, and thread on the Hex nut **(8)**.
5. Slide on decorative cover **(9)** followed by the decorative knob **(10)**.

Drawing 2 – Glass Installation



Drawing 2 - Mounting instructions



▼ start here

SAFETY WARNING: READ WIRING AND GROUNDING INSTRUCTIONS (I.S. 18) AND ANY ADDITIONAL DIRECTIONS. TURN POWER SUPPLY OFF DURING INSTALLATION. IF NEW WIRING IS REQUIRED, CONSULT A QUALIFIED ELECTRICIAN OR LOCAL AUTHORITIES FOR CODE REQUIREMENTS.

1

1. Shut off electrical current before starting. If the fixture you are replacing is turned on and off by a wall switch, simply turn the switch off. If not, remove the appropriate fuse (or open the circuit breakers) until the fixture is dead.

- DO NOT restore current - either by fuse, breaker or switch - until the new fixture is completely wired and in place.

2

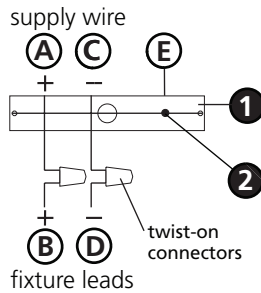
1. Slip canopy assembly with swivel (3) along wire and thread onto top of rods that are attached to fixture.

3

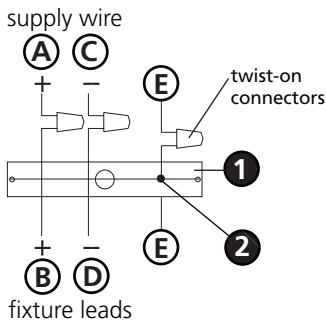
1. Thread two long 8-32 (1) screws provided into the mounting strap (2). **Note:** the two screws should be threaded into holes that line up with the holes in the canopy (3) - see **Drawing 2**.
2. Attach mount strap (2) to junction box with two short 8-32 screws(5).
3. Make wire connections following the instructions on (I.S.18) instruction sheet provided.
4. Slip canopy/fixture over screws (1) and secure fixture with ball knobs (4).

01.01.12

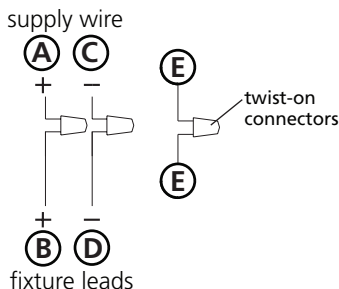
Drawing 1 - Flush Mount



Drawing 2 - Chain Hung



Drawing 3 - Post-Mount



SAFETY WARNING: READ WIRING AND GROUNDING INSTRUCTIONS (I.S. 18) AND ANY ADDITIONAL DIRECTIONS. TURN POWER SUPPLY OFF DURING INSTALLATION. IF NEW WIRING IS REQUIRED, CONSULT A QUALIFIED ELECTRICIAN OR LOCAL AUTHORITIES FOR CODE REQUIREMENTS.

wiring instructions

Indoor Fixtures

1. Connect positive supply wire **(A)** (typically black or the smooth, unmarked side of the two-conductor cord) to positive fixture lead **(B)** with appropriately sized twist on connector - see **Drawings 1 or 2**.
2. Connect negative supply wire **(C)** (typically white or the ribbed, marked side of the two-conductor cord) to negative fixture lead **(D)**.
3. Please refer to the **grounding instructions** below to complete all electrical connections.

Outdoor Fixtures

1. Connect positive supply wire **(A)** (typically black or the smooth unmarked side of the two-conductor cord) to positive fixture lead **(B)** with appropriately sized twist on connector - see **Drawings 2 or 3**.
2. Connect negative supply wire **(C)** (typically white or the ribbed, marked side of the two-conductor cord) to negative fixture lead **(D)**.
3. Cover open end of connectors with silicone sealant to form a watertight seal.
 - If installing a wall mount fixture, use caulk to seal gaps between the fixture mounting plate (backplate) and the wall. This will help prevent water from entering the outlet box. If the wall surface is lap siding, use caulk and a fixture mounting platform specially.
4. Please refer to the **grounding instructions** below to complete all electrical connections.

grounding instructions

Flush Mount Fixtures

For positive grounding in a 3-wire electrical system, fasten the fixture ground wire **(E)** (typically copper or green plastic coated) to the fixture mounting strap **(1)** with the ground screw **(2)** - see **Drawing 1**.

Note: On straps for screw supported fixtures, first install the two mounting screws in strap. Any remaining tapped hole may be used for the ground screw.

Chain Hung Fixtures

Loop fixture ground wire **(E)** (typically copper or green plastic coated) under the head of the ground screw **(2)** on fixture mounting strap **(1)** and connect to the loose end of the fixture ground wire directly to the ground wire of the building system with appropriately sized twist-on connectors - see **Drawing 2**.

Post-Mount Fixtures

Connect fixture ground wire **(E)** (typically copper or green plastic coated) to power supply ground with appropriately sized twist-on connector inside post. Cover open end of connector with silicone sealant to form a watertight seal - see **Drawing 3**.