

Please go to www. quoizel. com for product cleaning tips. Go to the **Care + Maintenance** selection.

Tools Required: Flathead screwdriver, Phillips screwdriver, pliers, wire cutters, wire strippers, electrical tape, safety glasses.

Light Source: (1) Medium Base 100W Maximum, Alternate bulb (1) 23W CFL

Estimated Assembly Time: 30-45 minutes

Preparation: Identify and inspect all parts before beginning installation. Check package content list and diagrams below to be sure all parts are present. If any parts are missing or damaged, do not attempt to assemble, install, or operate the fixture. Contact customer service for replacement parts.

Fixture can only be mounted in the direction indicated on page 2.

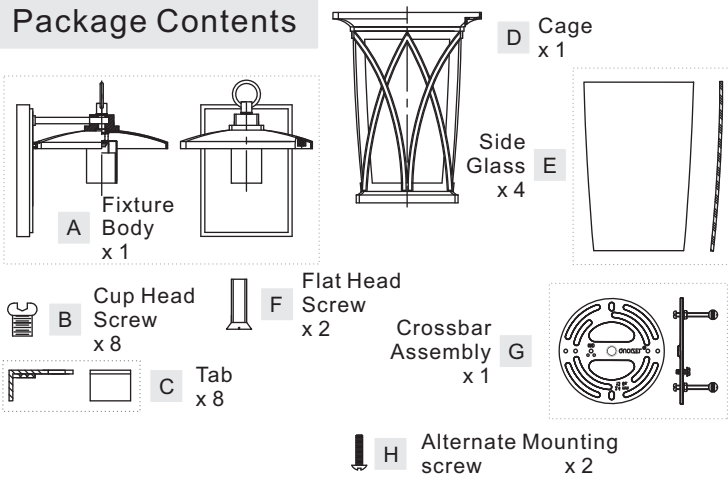
⚠ Warnings and Cautions

Turn off electricity at circuit breaker or main fuse box before installation. Consult a licensed electrician if in doubt.

These instructions are provided for your safety. It is very important you read them completely before installing the fixture. We strongly recommend that a licensed, professional electrician perform the installation.

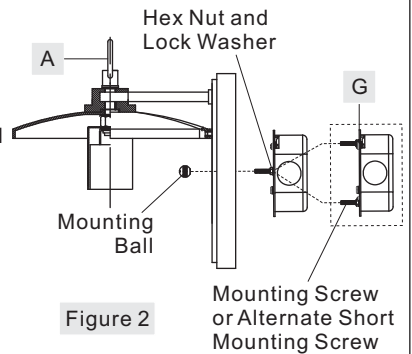
Disconnect fixture from power source before replacing bulbs. Make sure bulbs are given sufficient time to cool before removal. Do not subject glass parts to any shock while in operation or shattering may result.

Package Contents



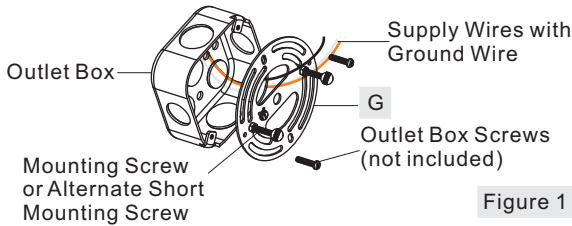
(Step 2 Continued)

correct length is achieved. Once the backplate of the Fixture Body (A) is secure, remove the mounting ball and Fixture Body (A) and proceed to Step 3.



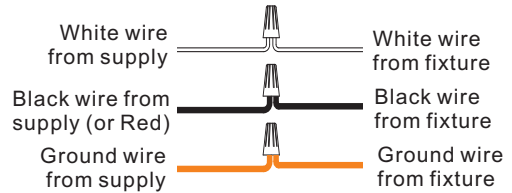
STEP 1 - Install Inner Backplate

A. Pass the supply wires through the Crossbar Assembly (G). Attach the Crossbar Assembly (G) to the Outlet Box with the head of the Green Ground Screw facing you. Secure it with Outlet Box Screws (not included). Tighten until snug. Note: Use the Alternate Shorter Mounting Screw (H) if your installation requires a shorter mounting screw.



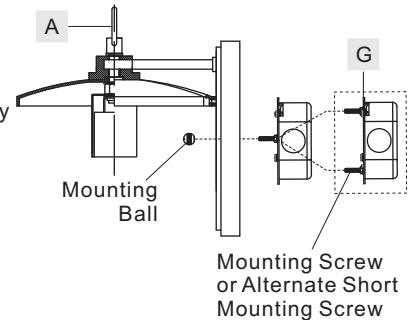
STEP 3 - Wire Connections

A. Use standard wire connectors (not included) to make all wire connections. (Connectors are not included with fixture.) Twist connectors until wires are tightly joined together. Wrap each connection with approved electrical tape and carefully stuff all the connected wires into the Outlet Box.



STEP 4 - Install Fixture Body

A. Carefully tuck all wires into the outlet box and position the backplate of Fixture Body (A) over the outlet box. Align the holes in the backplate with the mounting screws or alternate short mounting screws. Place caulk (not supplied) into the previously removed mounting balls and then attach Fixture Body (A) using the mounting balls. Hand tighten until snug.



Thank you for purchasing a Quoizel product.
Need assistance with parts or assembly? Call Quoizel customer service at 1-631-273-2700 or visit us on-line at www. quoizel. com

STEP 5 – Attach Side Glass to Fixture Body

- A. Insert the Side glasses (E) into the Slot on the bottom of Cage (D) properly, then place the Tab (C) pinned the Side Glass (E), secure by threading Cup Head Screw (B) into the lock hole on the top of Cage (D), tighten until snug.

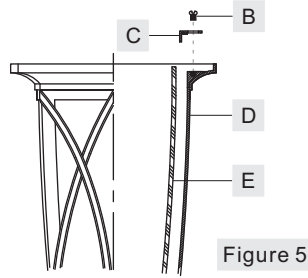


Figure 5

STEP 6 – Install Bulb and shade to Fixture Body

- A. This fixture uses standard bulb with medium screw base. Maximum 100 watts.
 B. Insert bulb and screw snugly into place.
 C. Line up the hole on the Cage (D) and the mounting hole on the Fixture Body (A), secure by threading Flat Head Screw (F) into mounting hole on the Fixture Body (A), tighten until snug.

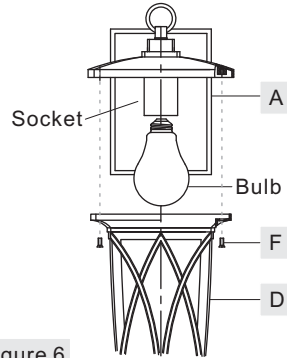


Figure 6

STEP 7 – Apply Silicone Sealer

- A. Make sure exterior wall surface and fixture backplate are free of dirt before applying caulk. Using exterior grade caulk, caulk over top of backplate and down other side. Do not caulk bottom of fixture backplate to ensure proper moisture drainage.

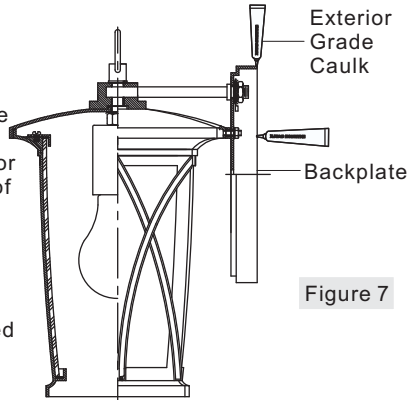
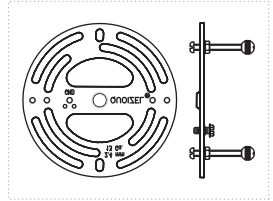


Figure 7

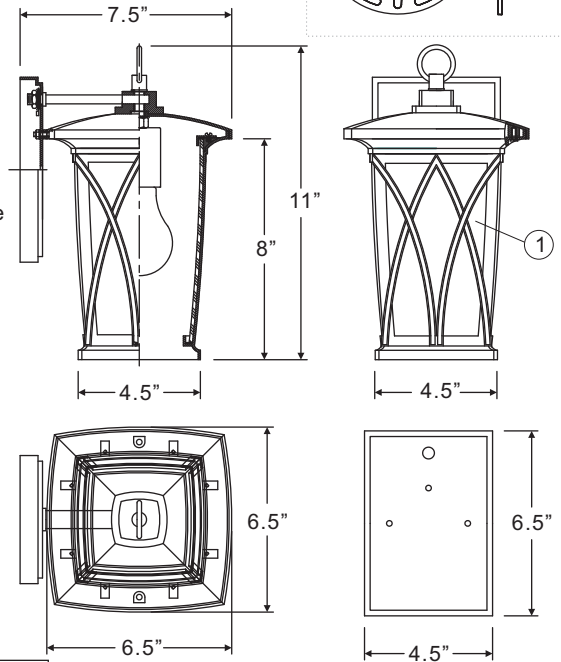
Your fixture is now assembled and ready to use. Enjoy!

GVR8406K

FINISH: MYSTIC BLACK



Fixture can only be mounted in the direction indicated



(1) 100W Medium Base Bulb (Not Supplied)

NOTE: ALL DIMENSIONS ARE ROUNDED UP TO THE NEAREST 1/2"

NO.	PART NUMBER	REPLACEMENT PART	REQ.
1	G4021PA	PANEL CLEAR WATER GLASS	4

Thank you for purchasing a Quoizel product.
 Need assistance with parts or assembly? Call Quoizel customer service at 1-631-273-2700
 or visit us on-line at www.quoise.com