

## ASSEMBLY AND INSTALLATION INSTRUCTIONS

**WARNING: SHUT POWER OFF AT FUSE OR CIRCUIT BREAKER!**

NOTE: BEFORE INSTALLING, CONSULT LOCAL ELECTRICAL CODES FOR WIRING AND GROUNDING REQUIREMENT.

### WARNING!!!

- \* Risk of shock, do not plug the unit before assembly.
- \* Do not exceed the maximum wattage rating.
- \* Before you light it up, please follow the instruction manual step by step.

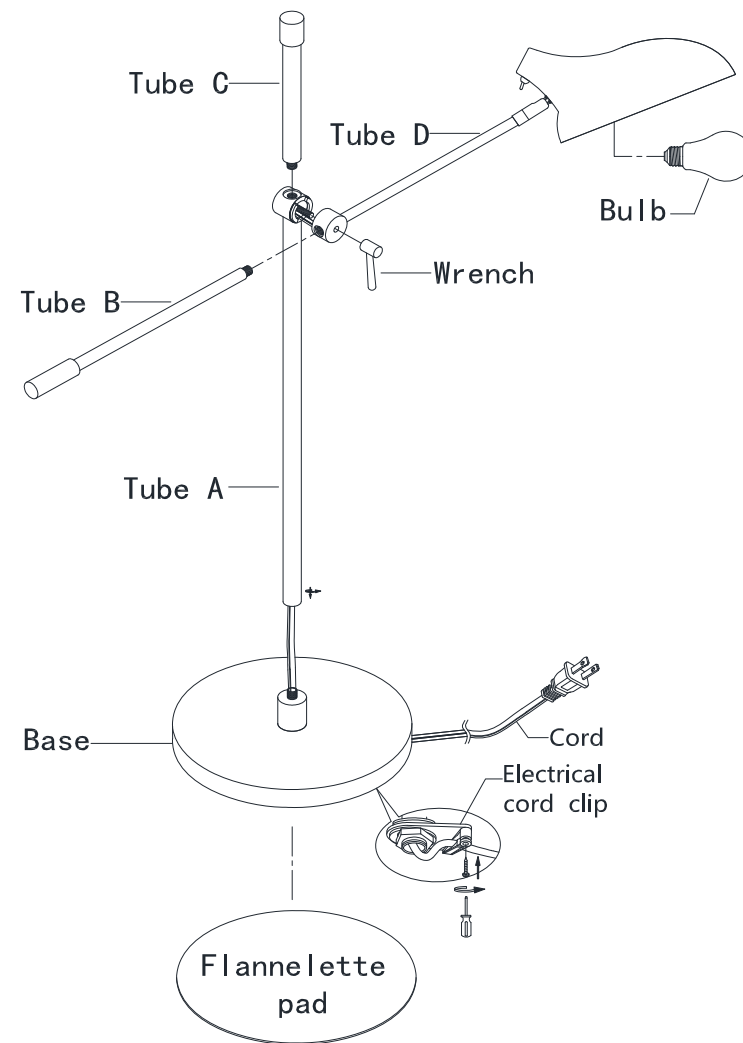
### INSTALLATION

1. Carefully unpack your new fixture and lay out all the parts on a clear area. Take care not to lose any small parts necessary for installation.
2. Slide the Tube A onto the top pipe thread of the Base, by turn it clockwise until tight. Aligning the end cross joint of Tube A and Tube D, lock them securely with the Wrench. Adjust the electrical cord length, fasten the electrical cord with the side screw of electrical cord clip. Assembled Tube B and Tube C into the top thread holes of lamp body.
3. Attach the Flannelette pad adheres to bottom of Base.
4. Screw in a light bulb. **NOTE: DO NOT EXCEED THE SPECIFIED WATTAGE.**

### IMPORTANT SAFETY INSTRUCTIONS

This portable lamp has a polarized plug. As a safety feature to reduce the risk of electric shock. This plug will fit in a polarized outlet only one way. If the plug does not fit fully in the outlet, reverse the plug. If it still does not fit, contact a qualified electrician. Never use with an extension cord unless the plug can be fully inserted. Do not change or alter the plug.

Your installation is now complete. Return power to the junction box and test the fixture.



1942TL

HOUSEHOLD USE  
POUR L'USAGE À LA MAISON