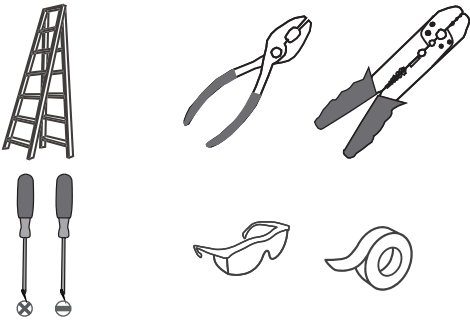
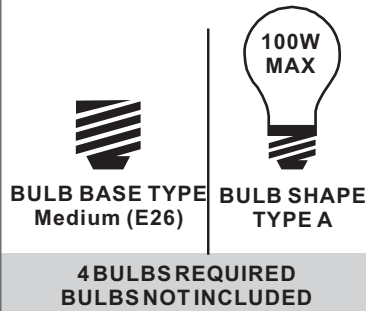


Tools Required



Light Source



**Fixture Height Adjustable
13.75" to 50.5"**

⚠ Warnings and Cautions

Turn off the electricity at the circuit breaker before installation. Consult a licensed electrician if in doubt about installation.

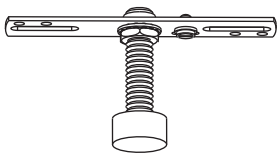
Turn off power to the fixture and allow the bulbs to cool before replacing.

Package Contents

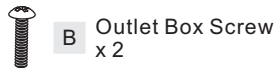
Preparation: Identify and inspect all parts before beginning the installation.

Missing or damaged parts? Contact your original place of purchase.

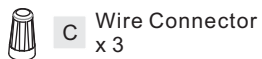
PARTS BAG



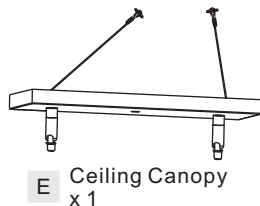
A Crossbar Assembly x 1



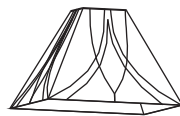
B Outlet Box Screw x 2



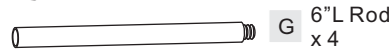
C Wire Connector x 3



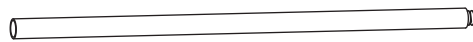
E Ceiling Canopy x 1



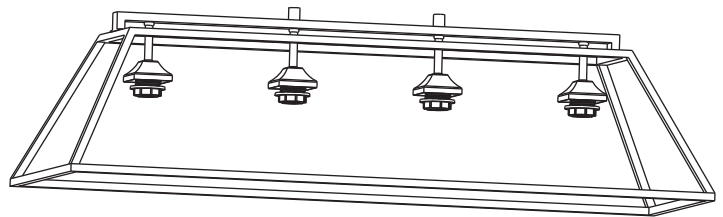
F Shade x 4



G 6" L Rod x 4



H 12" L Rod x 4



D Fixture Body x 1

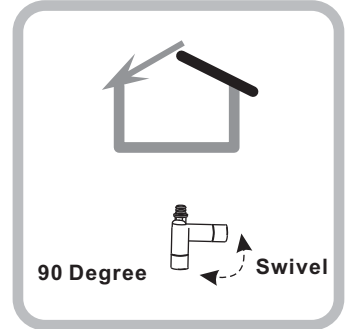
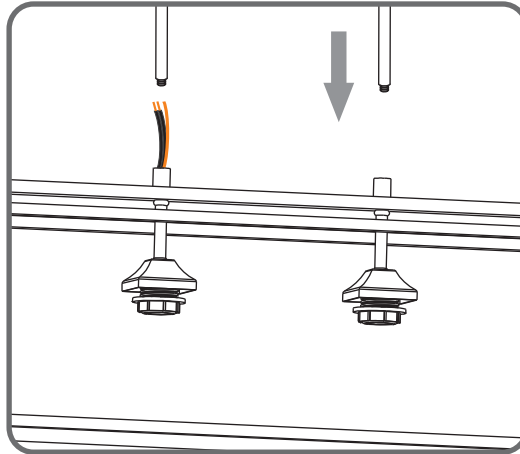
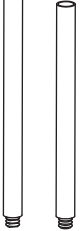
Table of Contents

Rods	Crossbar Assembly	Ceiling Canopy	Lanyard	Wiring	Ceiling Canopy	Bulb
STEP 1	STEP 2	STEP 3	STEP 4	STEP 5	STEP 6	STEP 7

STEP 1

Optional Rods

- 8' ceiling:
(2) 6"L + (2) 12"L rods
- 9' ceiling:
(2) 6"L + (4) 12"L rods
- 10' ceiling:
(4) 6"L + (4) 12"L rods

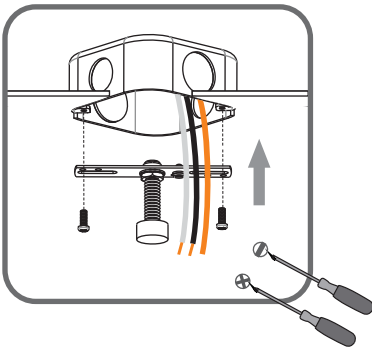


For angled ceilings,
Swivel opening towards wall.

STEP 2

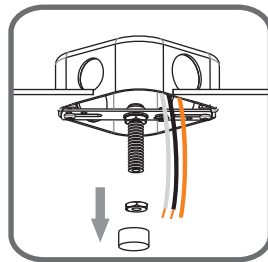
1

Step 1
Install crossbar assembly

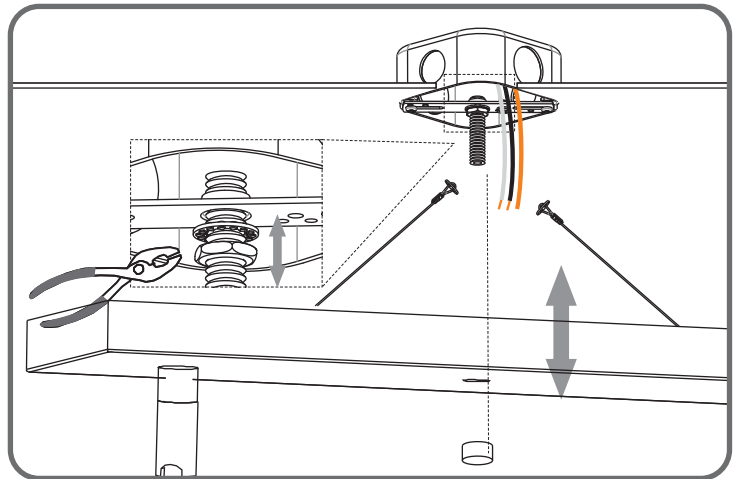


2

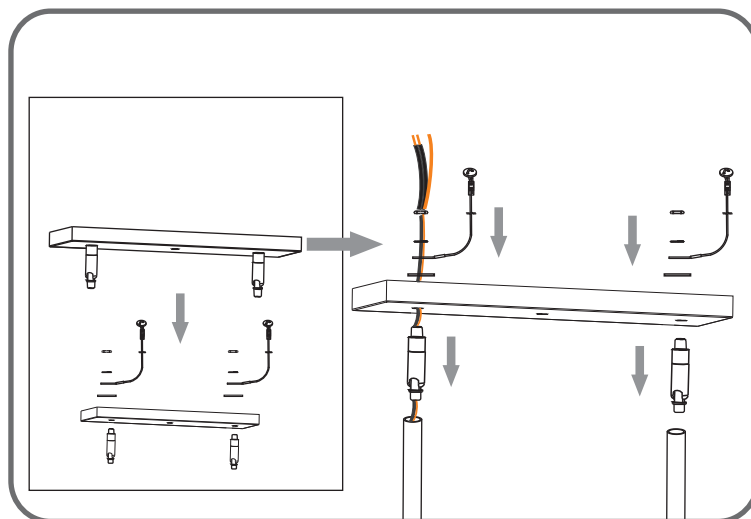
Step 2 - 3
Test fitting ceiling canopy to nipple



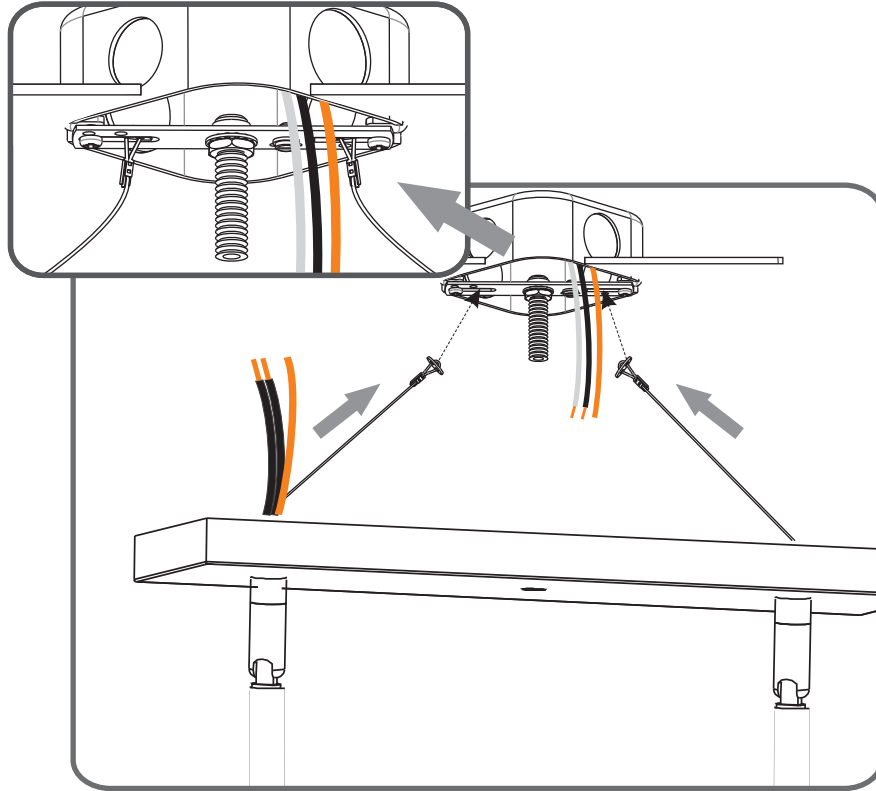
3



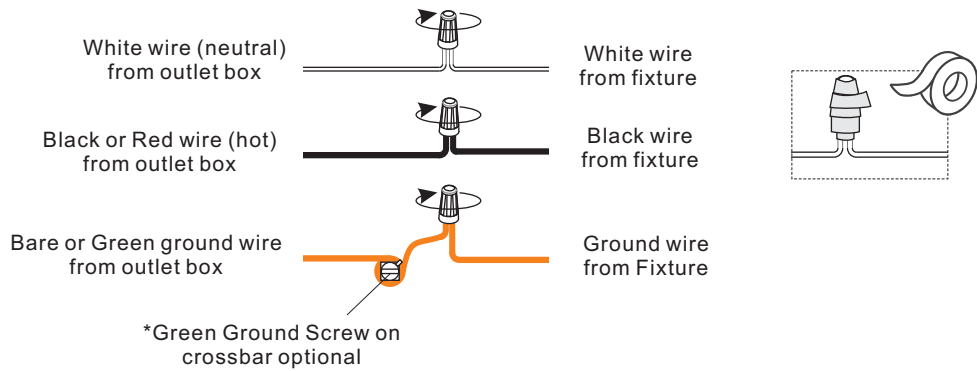
STEP 3



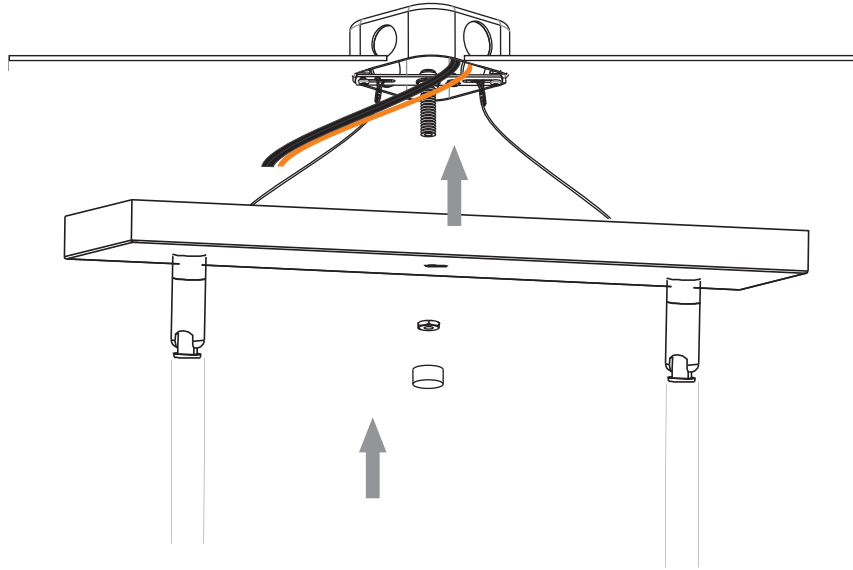
STEP 4



STEP 5



STEP 6



STEP 7

