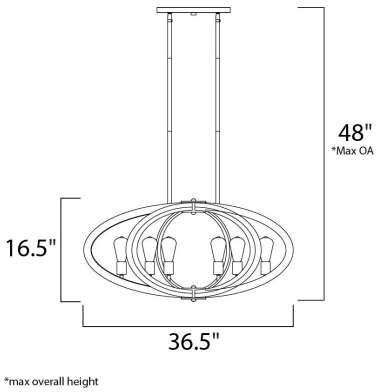




**PRODUCT DESCRIPTION**

Rings of Ash wood are distressed and then finished in Antique Pecan for that old world feel. Metal accents finished in Anthracite provide a forged iron appearance that complements this rustic design.



**MEASUREMENTS**

DIMENSION : 36.5" L x 22.25" W x 16.75" H  
 MAX OAH : 48" OAH  
 CANOPY : 4.57" W x 0.83" H x 12.01" L  
 HANGING WEIGHT : 20.9 lb

**LAMPING**

INPUT VOLTAGE : 120V  
 LUMENS : 0 Rated  
 BULB : 6 x 60W Incandescent E26 Medium , 360W Total  
 BULB INCLUDED : (Not Included)  
 DIMMABLE : Yes

**FINISHES OPTION**

 Anthracite

**MATERIAL**

Wood, Steel

**RATINGS**

cULus  
 Dry Location



**ADDITIONAL**

ADJUSTABLE  
 SLOPE: 120  
 OPERATING TEMPERATURE:  
 -20°C (-4°F), 40°C (104°F)

Always consult a qualified electrician before installing any lighting product.



**WESTERN DISTRIBUTION CENTER (HEADQUARTER)**  
 253 NORTH VINELAND AVE | CITY OF INDUSTRY, CA 91746

**EASTERN DISTRIBUTION CENTER**  
 4200 SHIRLEY DR. | ATLANTA, GA 30336

P. 626.956.4200 | F. 626.956.4225 | maximlighting.com