

# SCHONBEK®

## CHANDELIER 3790- \_\_\_\_ TRIM DIAGRAM

(Finish Option)



**T**HIS DESIGN IS THE PROPRIETARY  
TRADE DRESS/TRADE MARK OF  
SCHONBEK WORLDWIDE LIGHTING INC.

12 + 1 Lights  
Diameter: 33"  
Body Length: 26"  
Hanging Weight: 50 lbs.

# SCHONBEK®

**See diagram on back page  
Follow steps in exact order  
Save this trim diagram for future reference**

**1**

### IMPORTANT

*Person who opens carton should record the following information for future service.*

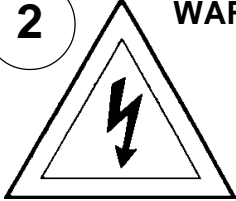
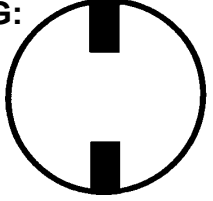
CODE # \_\_\_\_\_ Four-digit number on outside of carton.  
PACKER # \_\_\_\_\_ See crystal package label.  
ORDER # \_\_\_\_\_ See crystal package label.

SCHONBEK IS A WORLD LEADER IN CHANDELIER DESIGN. PATENTS INCLUDE:  
#D5,222,805

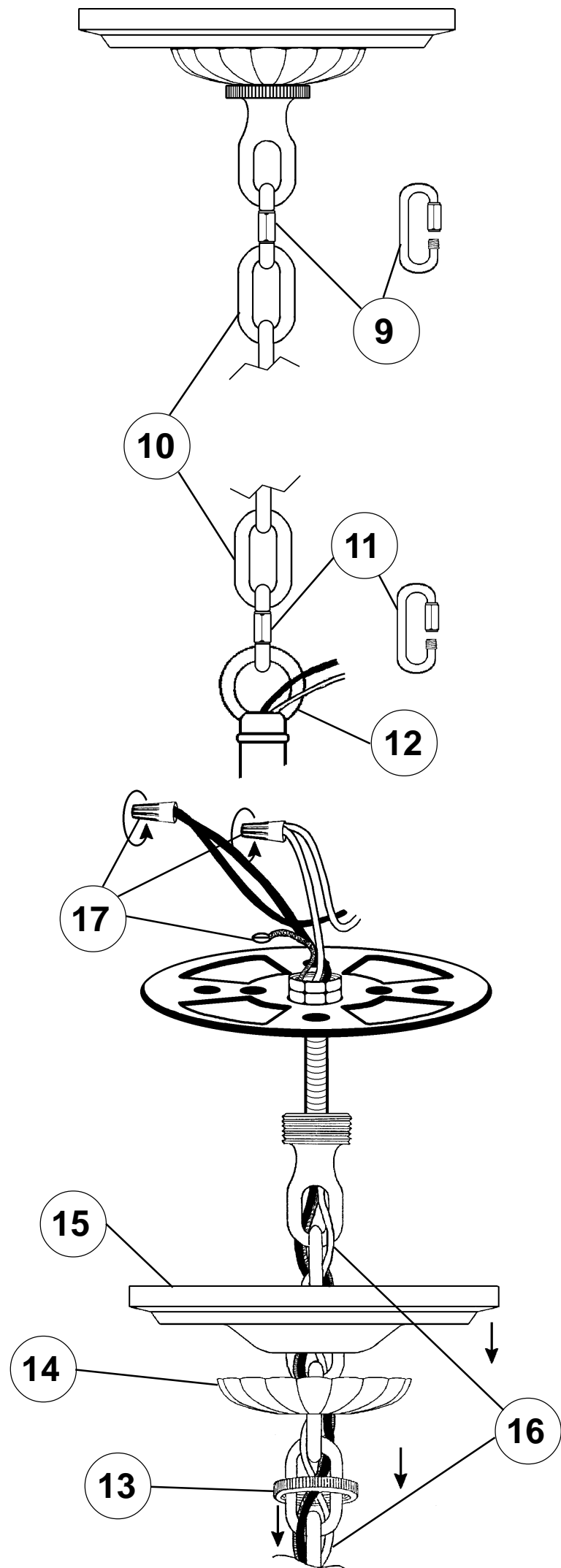
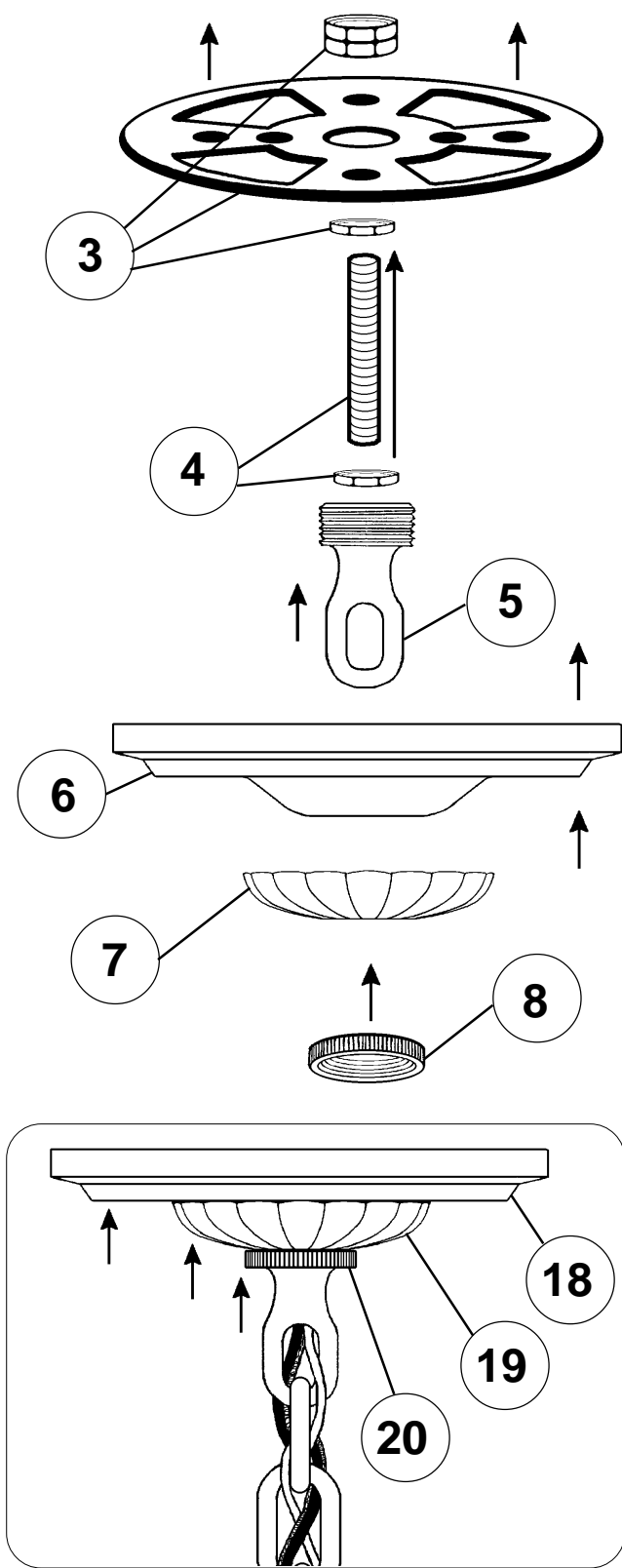
# Instructions for electrician

## STEPS 2 - 20

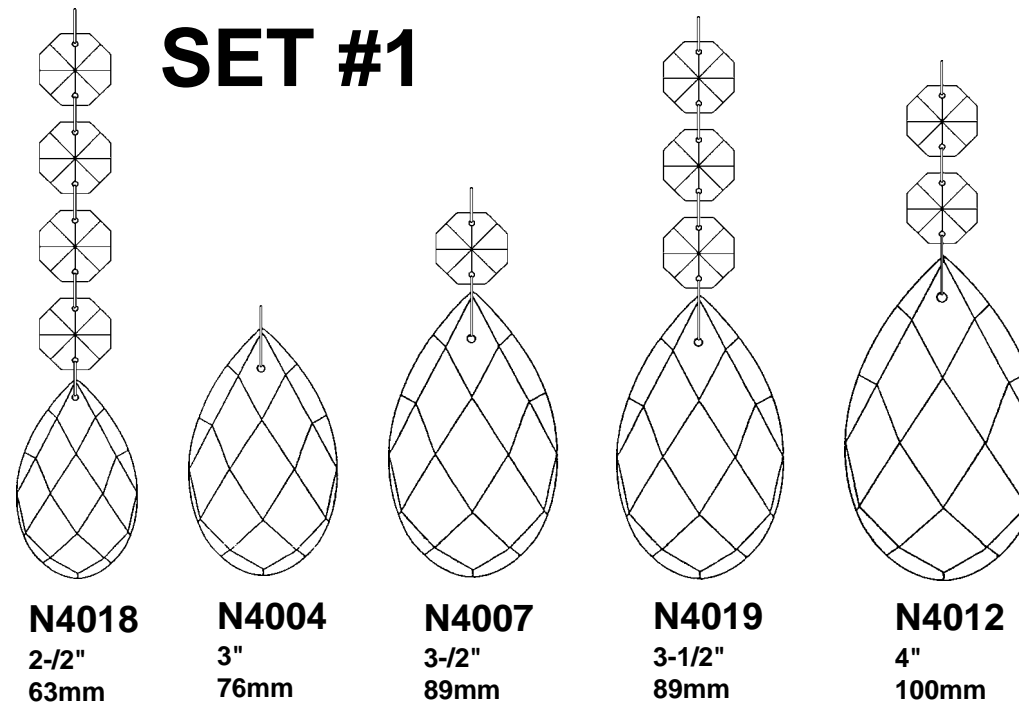
**WARNING:** THIS LUMINAIRE MUST BE MOUNTED OR SUPPORTED INDEPENDENTLY OF AN OUTLET BOX.

**2** **WARNING:**  **Turn Power Off** 

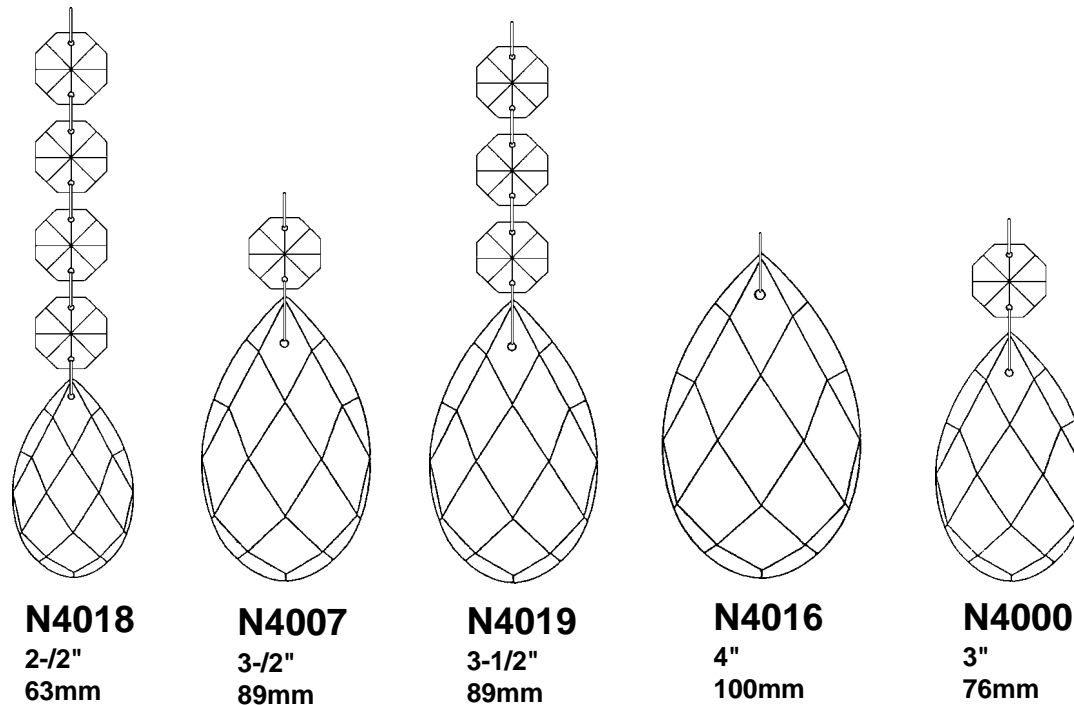
All electrical components must be installed by a licensed electrician in accordance with the National Electric Code and the appropriate local electrical codes.



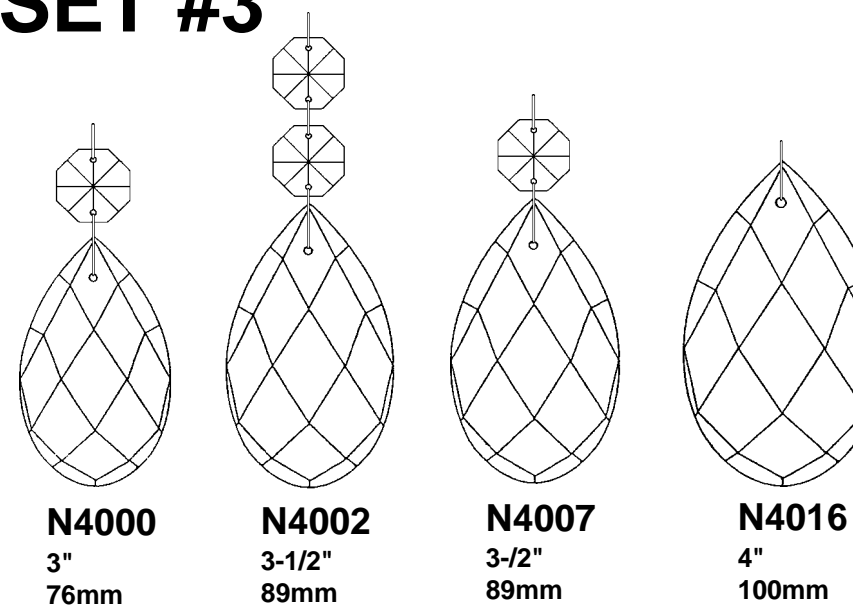
## SET #1



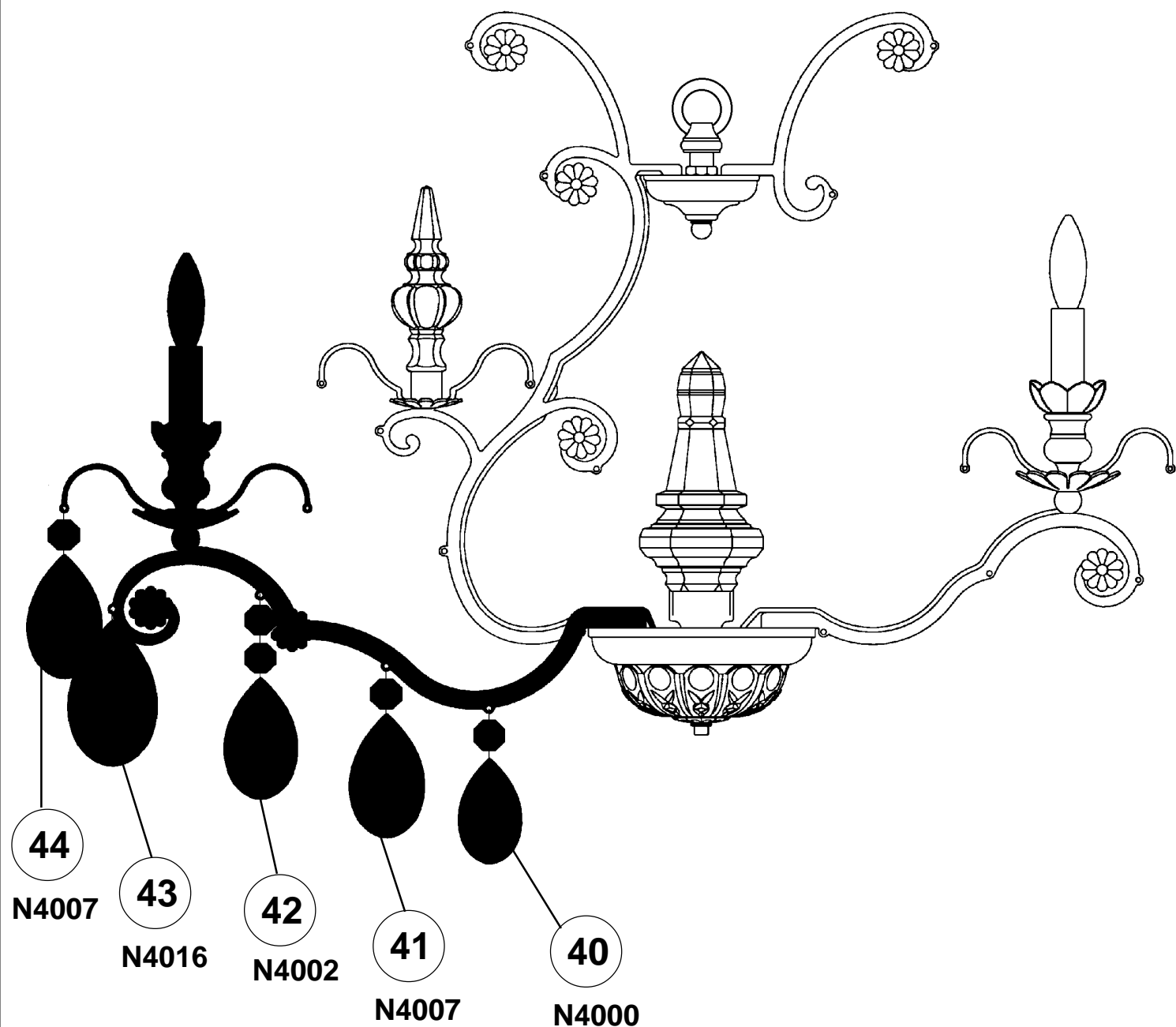
## SET #2



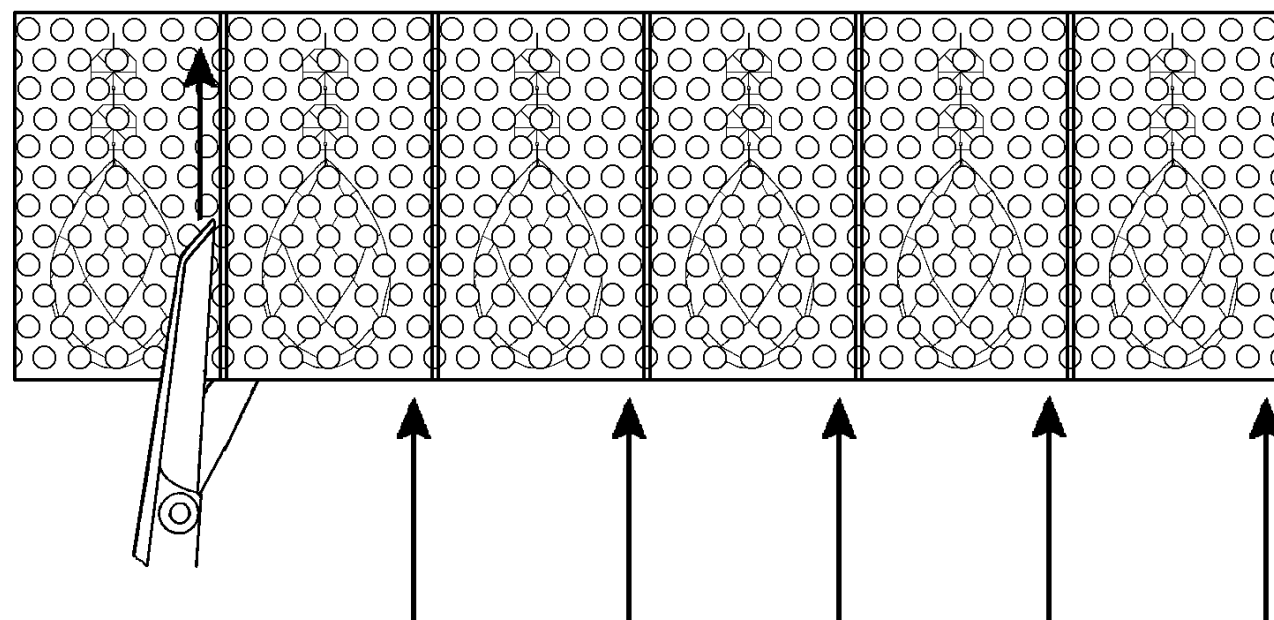
## SET #3



**Crystal Set #3 in Black**



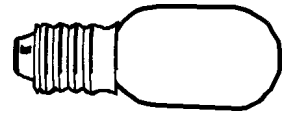
**For easy removal of crystal from bubble pack, please cut along pouches on the inside of the seam. Gently remove crystal from the side of the pouch.**



**NOTE: Work on one crystal set at a time. Follow the black line from top to bottom according to the numbered steps on the trim diagram.**

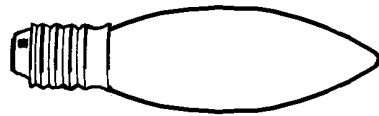
# Instructions for crystal trimming

## STEPS 21 - 44



You will need 1 - T7  
15 Watts Max  
(Center Light)

22

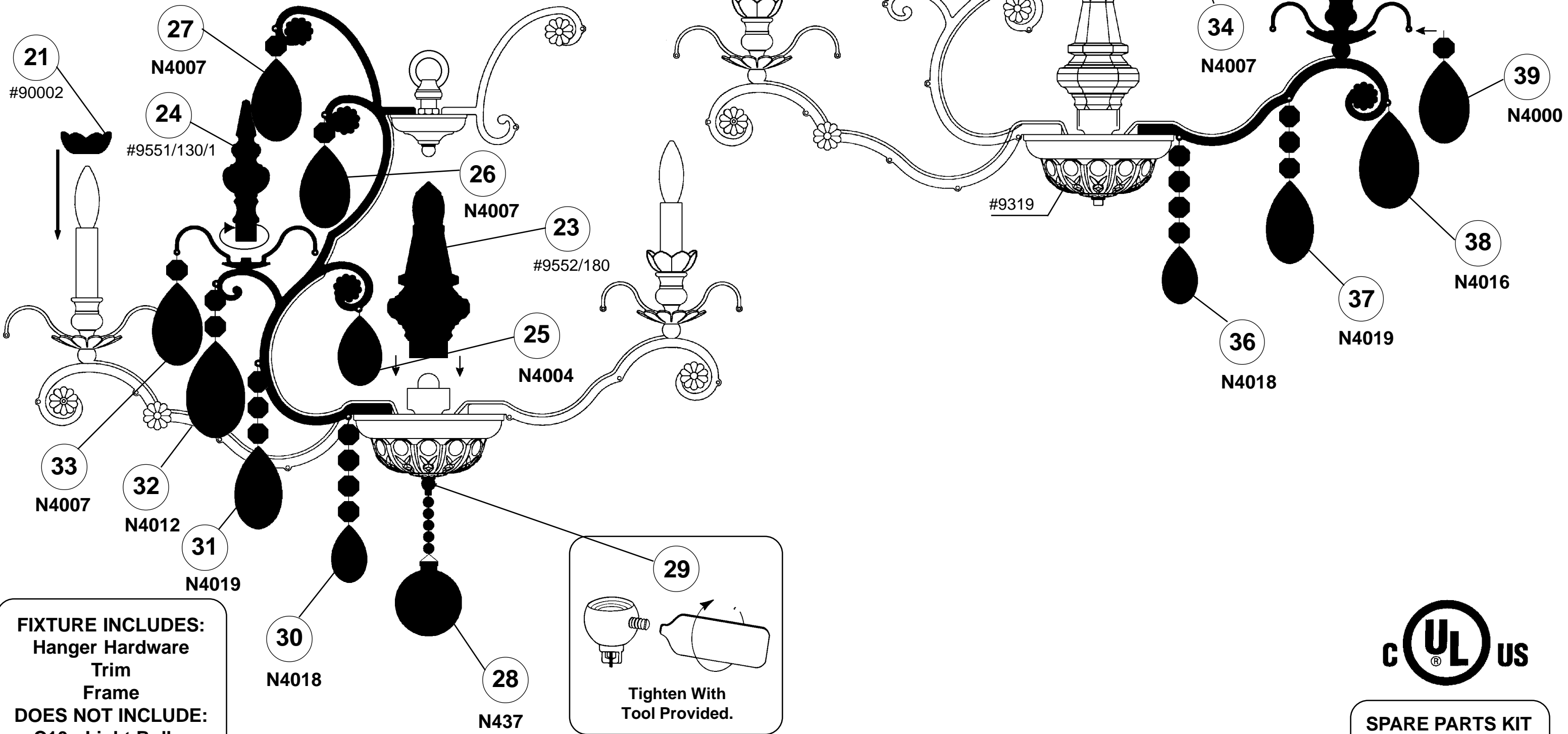


You will need 12 - C10  
25 Watts Recommended  
60 Watts Max

Install bulbs and be  
sure to test fixture  
BEFORE trimming.

### Crystal Set #2 in Black

### Crystal Set #1 in Black



**FIXTURE INCLUDES:**  
Hanger Hardware  
Trim  
Frame  
**DOES NOT INCLUDE:**  
C10 - Light Bulbs

**UL** US  
SPARE PARTS KIT  
PROVIDED.