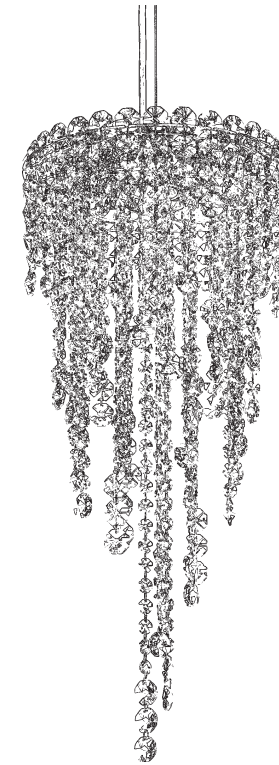




SCHONBEK®

**CHANTANT
CH0812N- __ __ H**



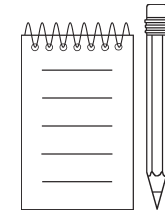
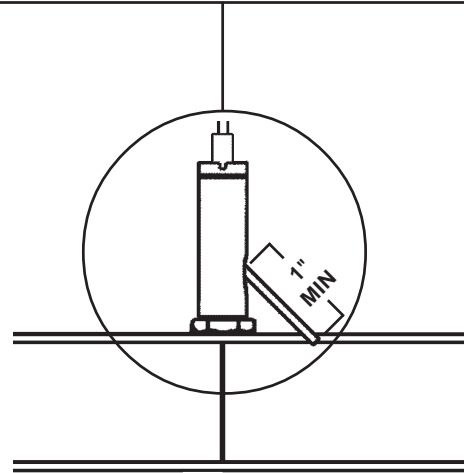
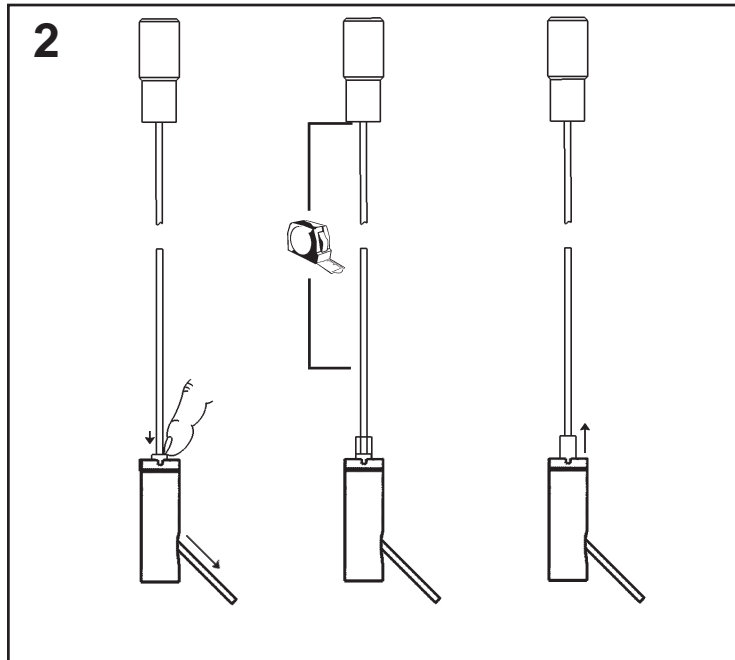
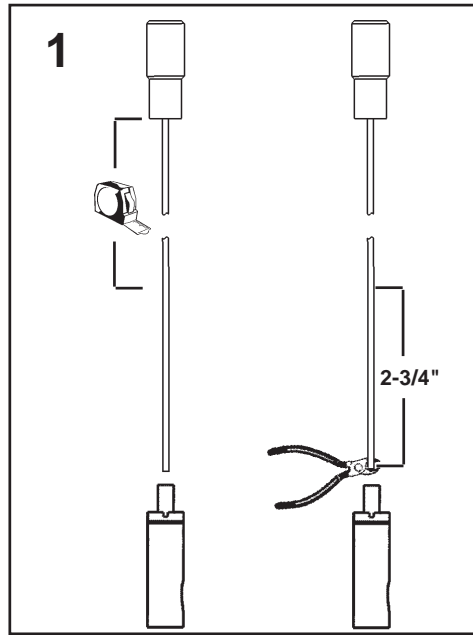
THIS DESIGN IS THE PROPRIETARY TRADE DRESS/TRADE MARK OF SWAROVSKI LIGHTING, LTD.

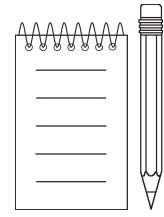
3 Lights
Diameter: 10-1/2"
Height: 24-1/2"
Hanging Weight: 10lbs.



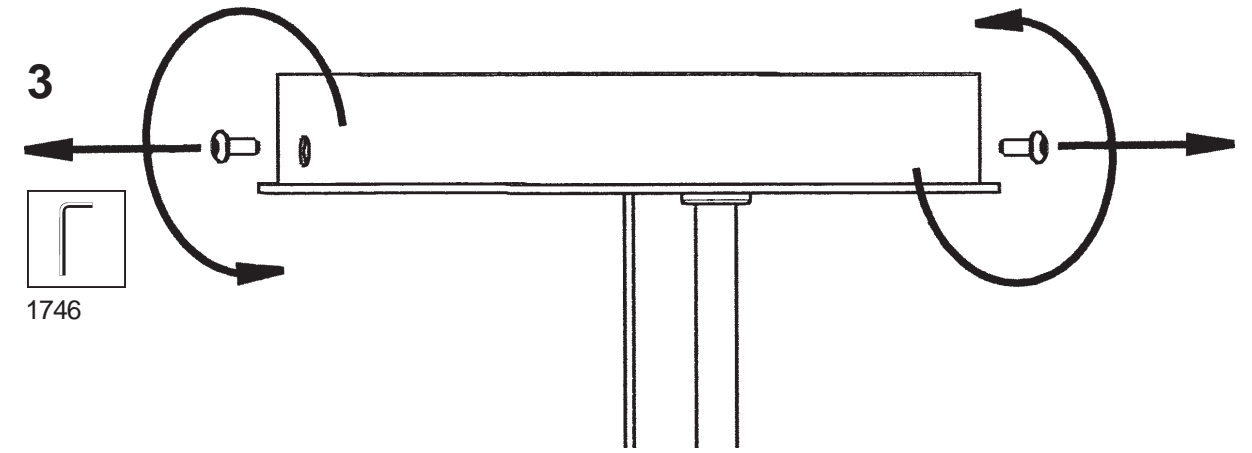
SCHONBEK®

MAX <u>50</u> W		110-120 V					



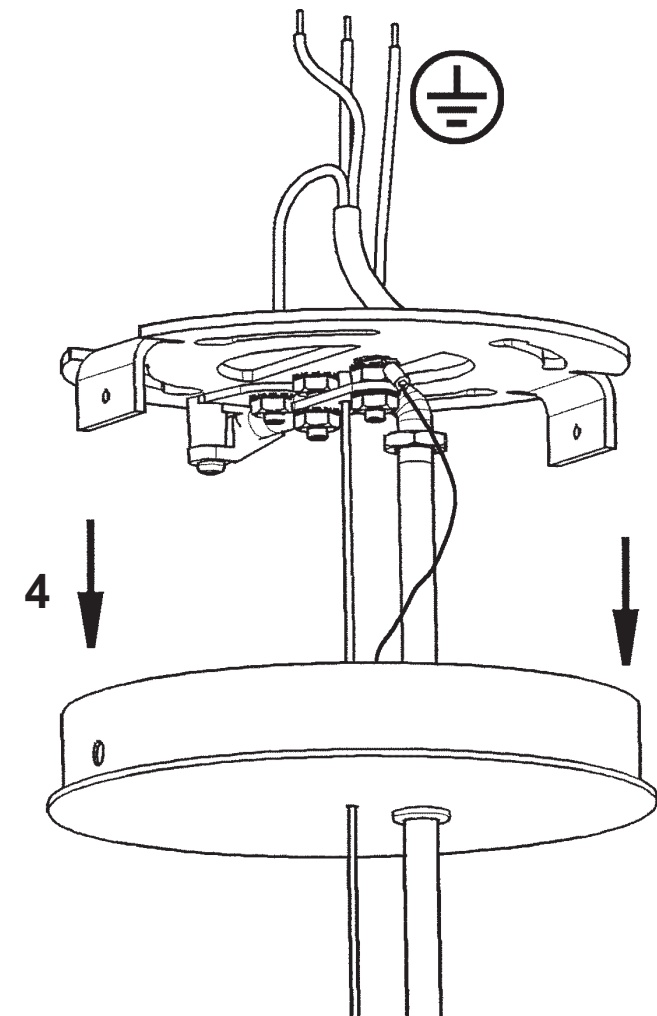


1X  : 1746

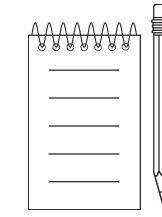
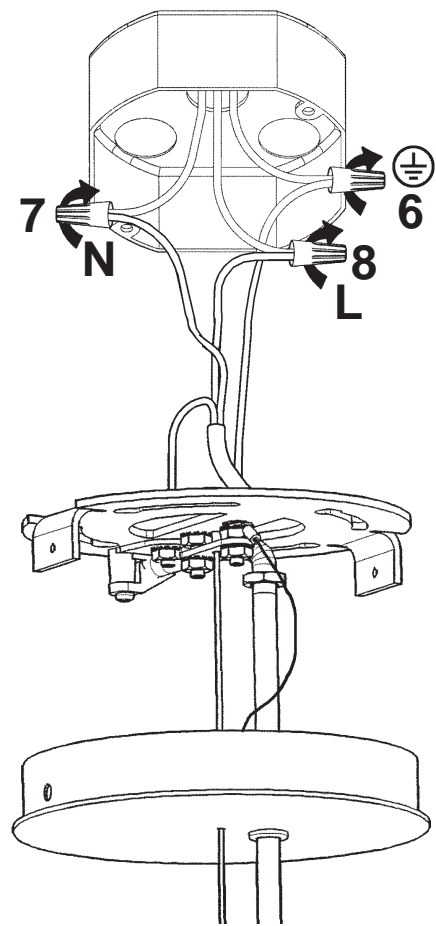
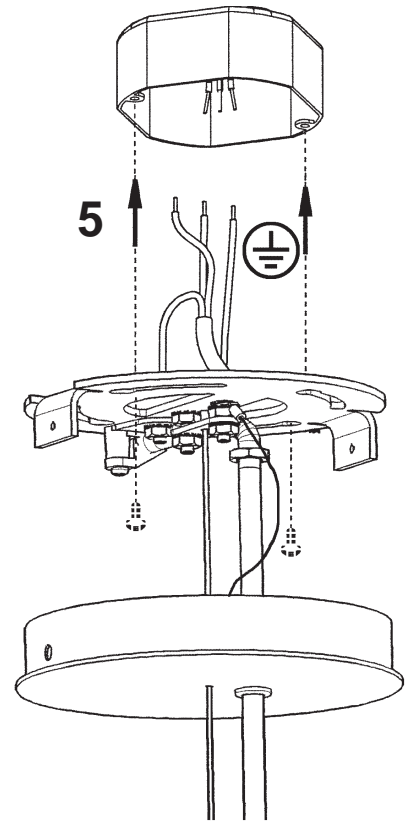


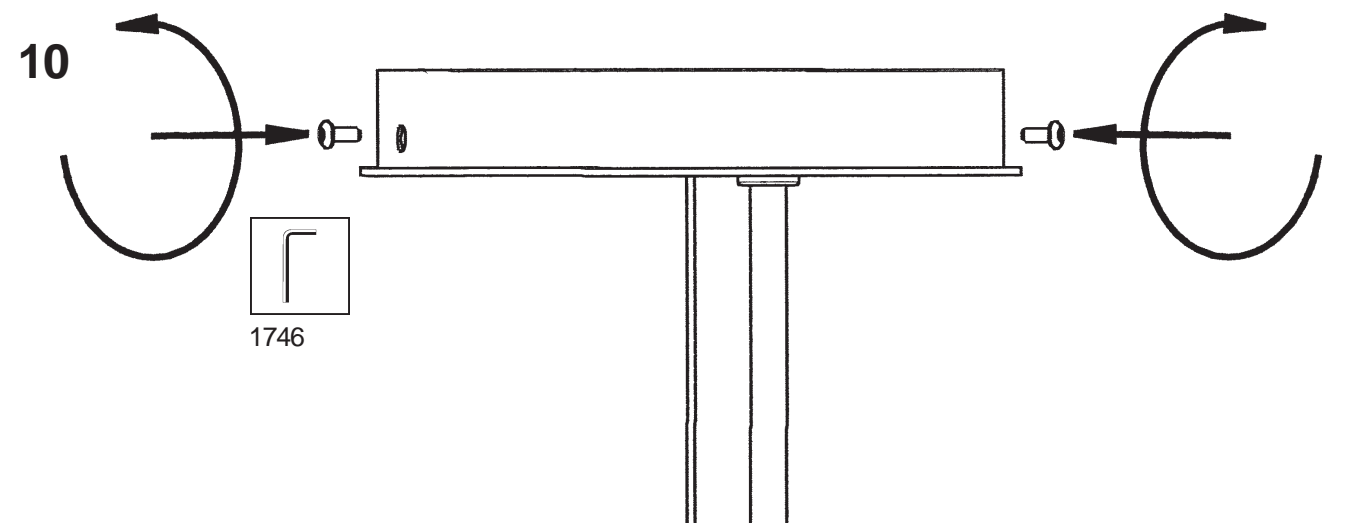
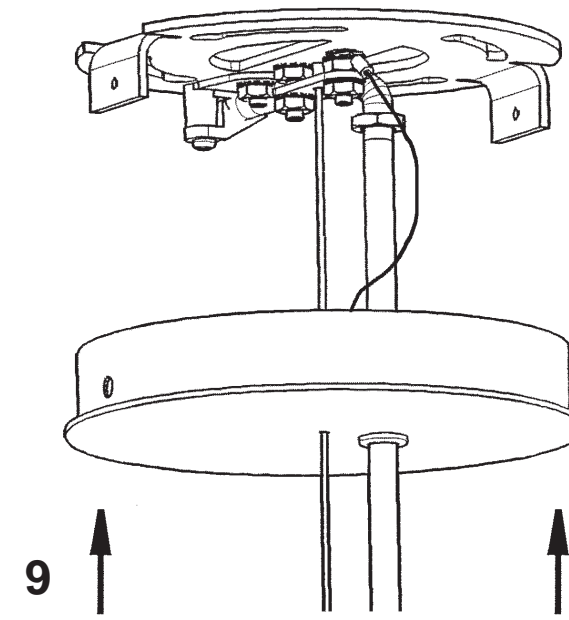
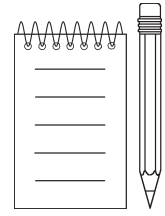
3

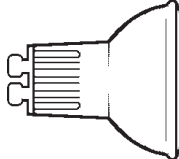

1746

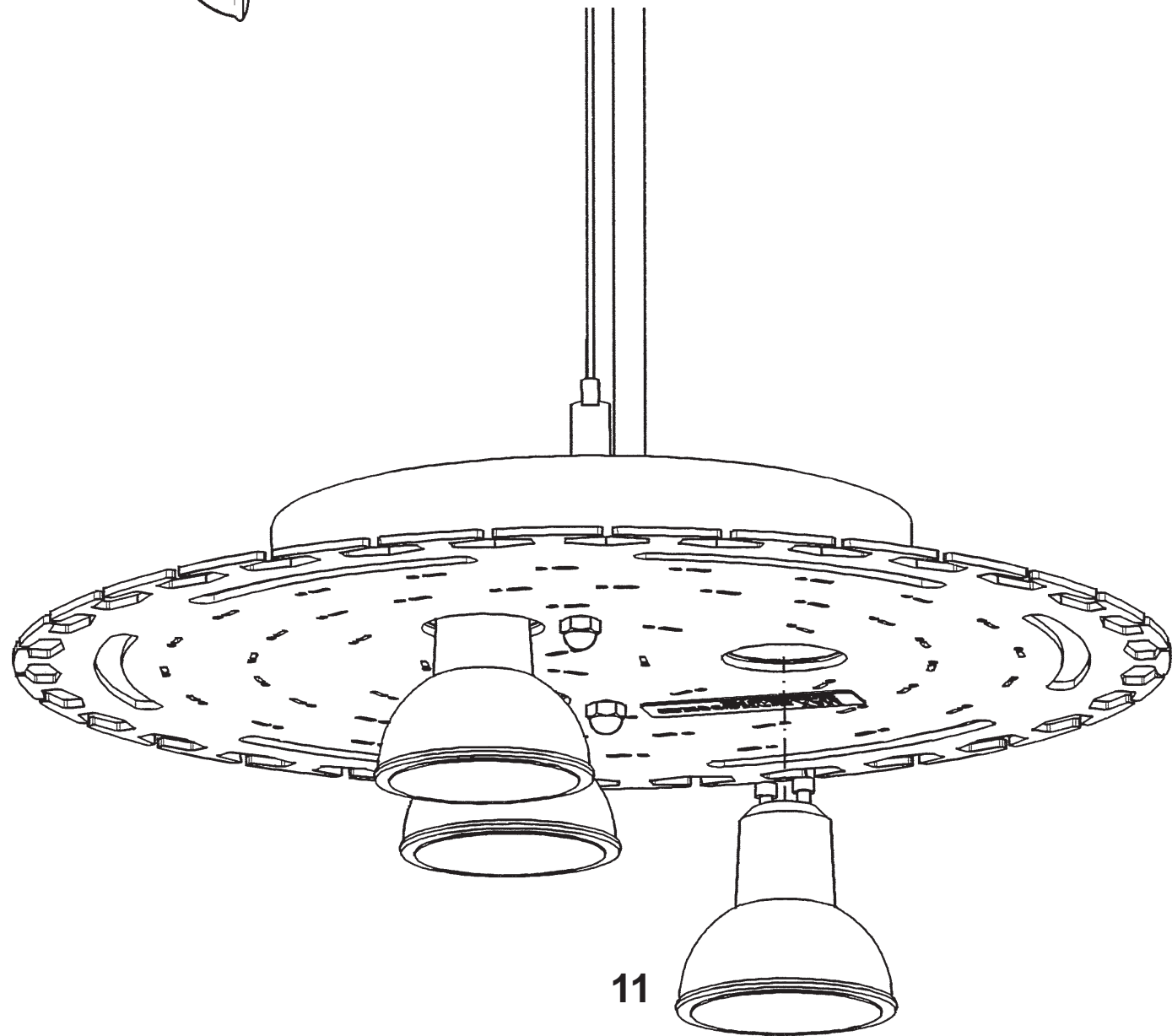


4

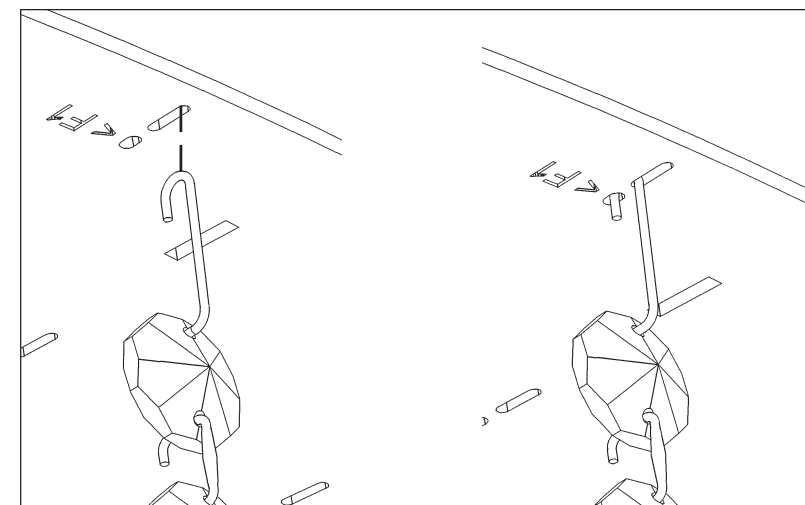
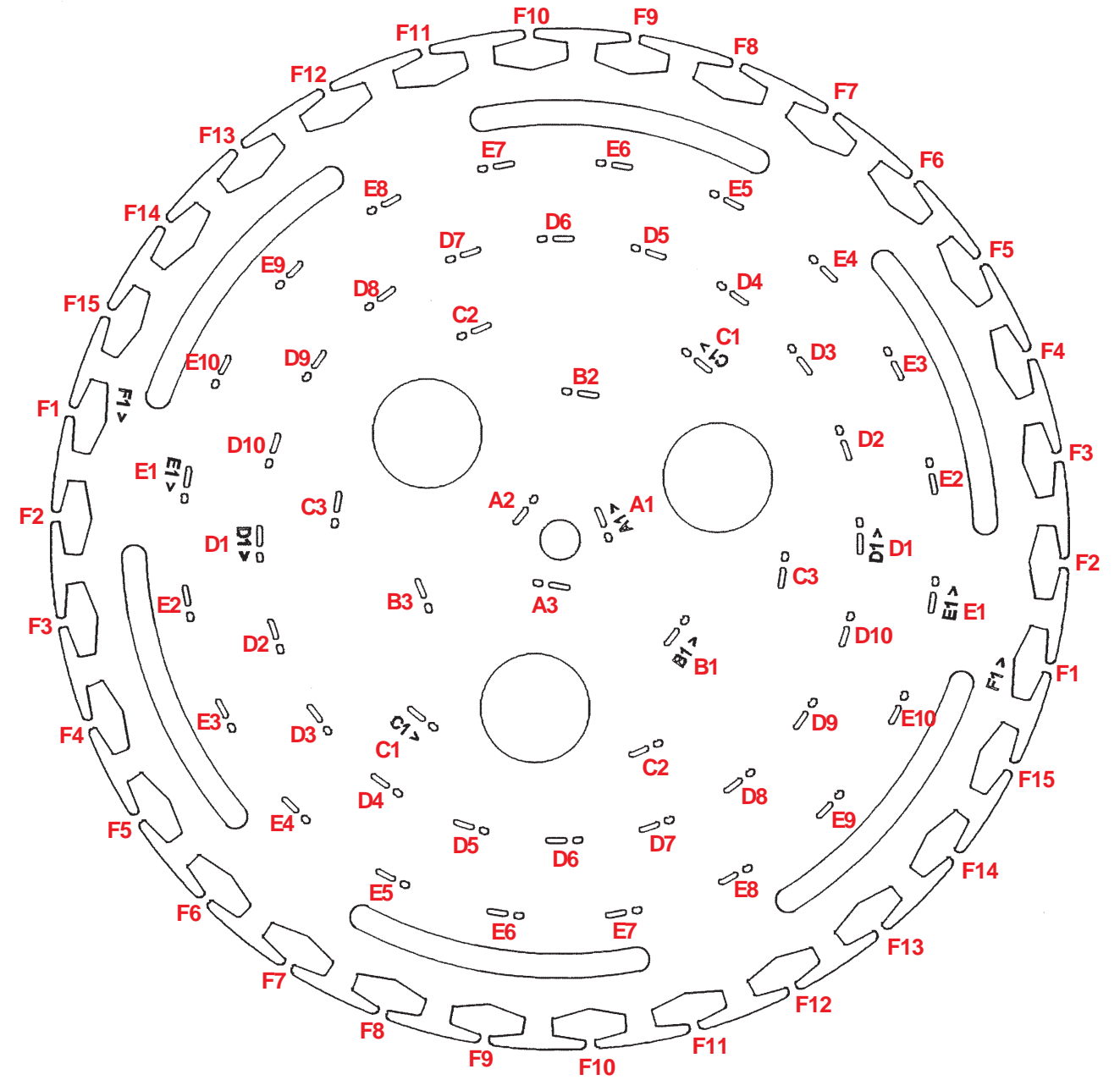




3 X  : GU10 50W MAX 



11



- 12 A1 - A3
- 13 B1 - B3
- 14 C1 - C3
- 15 D1 - D10
- 16 E1 - E10
- 17 F1 - F15

After hanging all trim, remove labels from crystals. If residue remains, wipe off crystal with a soft, dry cloth.