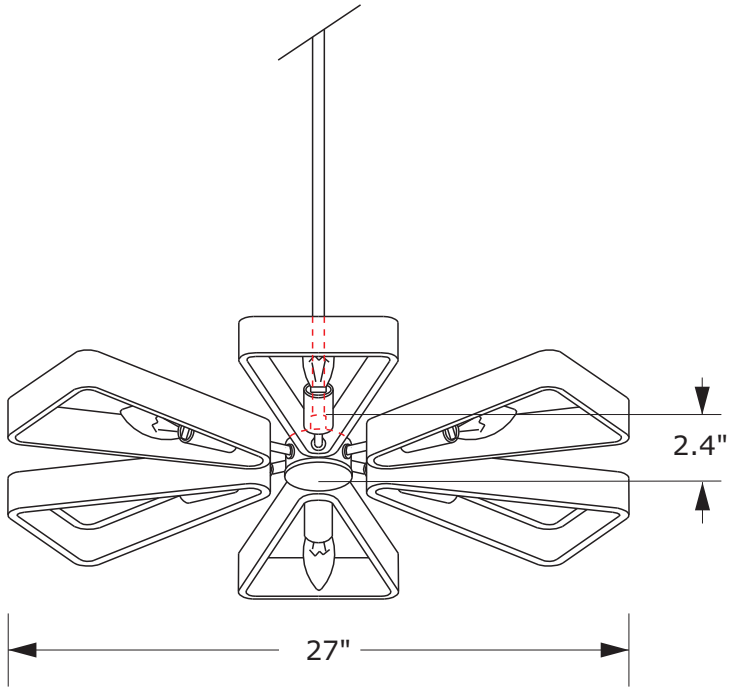


CRYSTORAMA

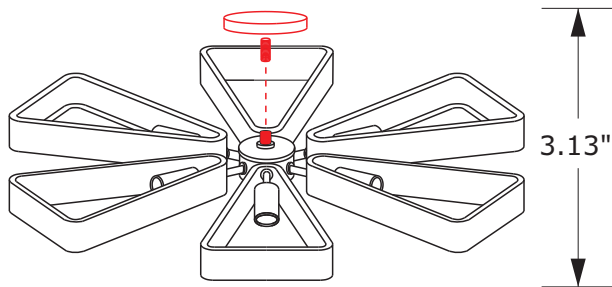
LIGHTING THE WAY FOR SIXTY YEARS

ASSEMBLY INSTRUCTION MODEL #596-EB-GA

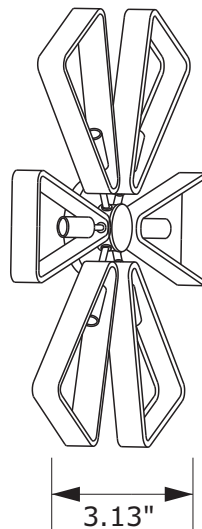
CHANDELIER



CEILING MOUNT



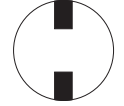
WALL MOUNT



WARNING:



Electrical Danger



Turn Power Off


All electrical components must be installed by a licensed electrician in accordance with the National Electric Code and the appropriate local electrical codes.



You will need 6 - Candelabra Base Bulb
40 Watts Recommended 60 Watts Max.
USE LED BULBS FOR EXTENDED USE
THIS FIXTURE IS DAMP RATED

How to Install

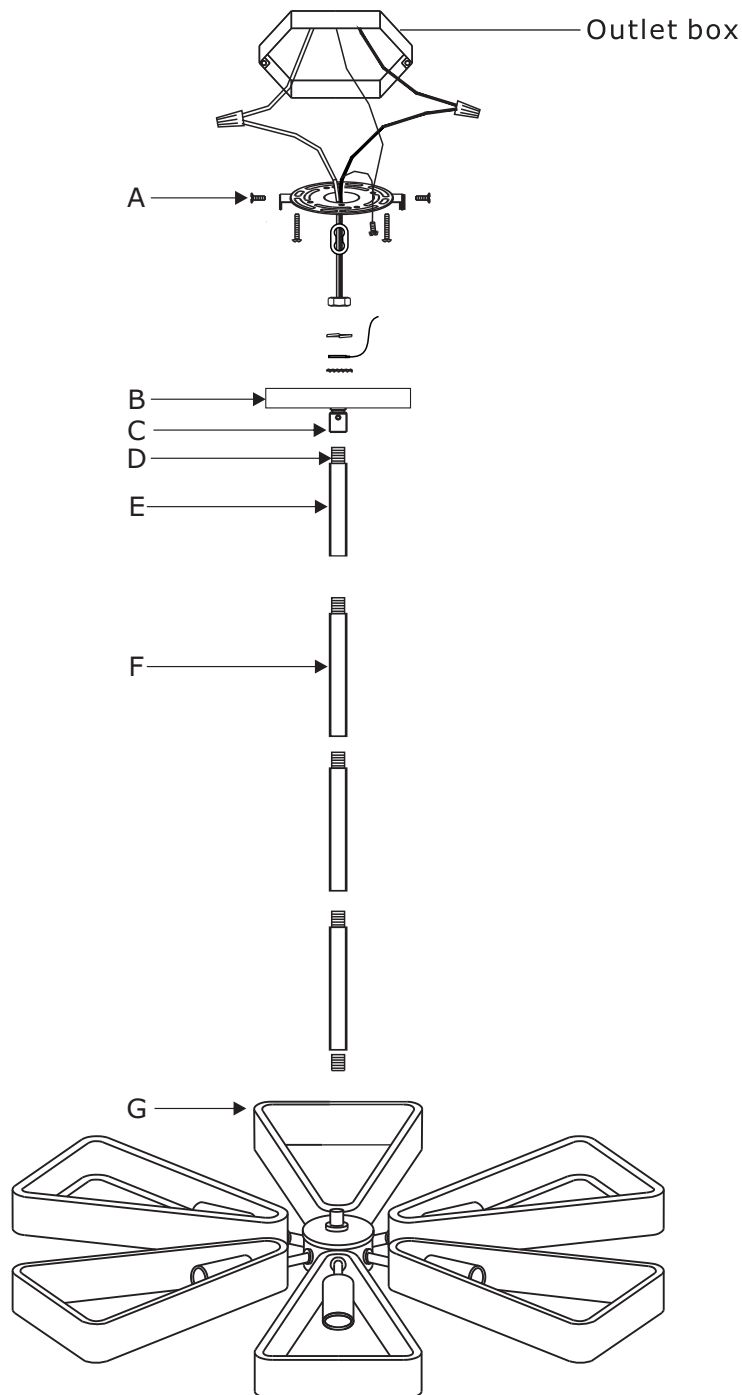
1. Feed wires through hanging stems/swivel/canopy.
2. Screw all hanging stems together and attach one end onto the wiring house and the other end onto the swivel. Finally attach the swivel onto the canopy.
3. Insert recommended bulb (not included).

 **WARNING:** This product can expose you to Lead, which is known to the State of California to cause cancer and/or birth defects or reproductive harm. For more information go to www.P65Warnings.ca.gov.

CRYSTORAMA

LIGHTING THE WAY FOR SIXTY YEARS

PART NUMBER MODEL #596-EB-GA



Part Number

- A. (1) - Mounting Hardware
- B. (1) - Canopy(W4.73", H0.79") #XRE596EBGACAN4.73IN
- C. (1) - Swivel
- D. (5) - Threaded Pipe
- E. (1) - Hanging Stem(6",15.9mm) #XRE966EBGA6IN
- F. (1) - Hanging Stem(12",15.9mm) #XRE966EBGA12IN
- G. (1) - Metal Frame