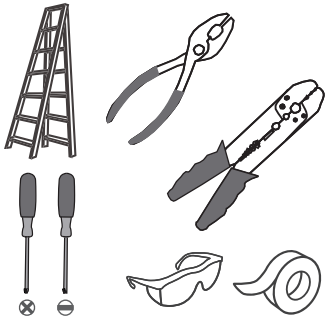
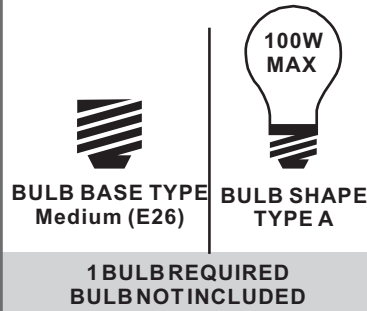


Tools Required



Light Source



Warnings and Cautions

Turn off the electricity at the circuit breaker before installation. Consult a licensed electrician if in doubt about installation.

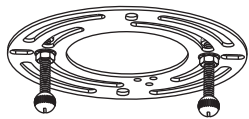
Turn off power to the fixture and allow the bulbs to cool before replacing.

Package Contents

Preparation: Identify and inspect all parts before beginning the installation.

Missing or damaged parts? Contact your original place of purchase.

PARTS BAG



A Crossbar Assembly x 1



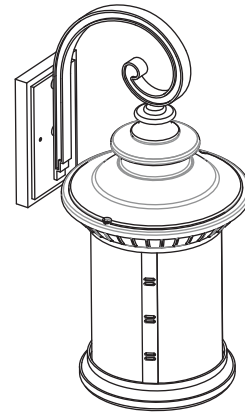
B Alternate Mounting Screw x 2



C Outlet Box Screw x 2



D Wire Connector x 3



E Fixture Body x 1

Table of Contents

Alternate Mounting Screw



STEP 1

Crossbar Assembly



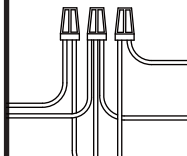
STEP 2

Remove Pack



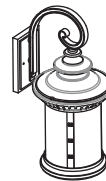
STEP 3

Wiring



STEP 4

Fixture Body



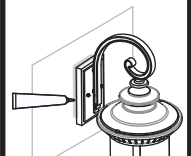
STEP 5

Bulb



STEP 6

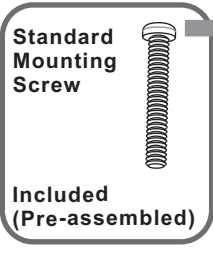
Caulk



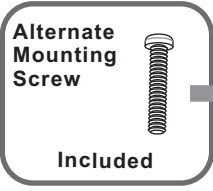
STEP 7

STEP 1

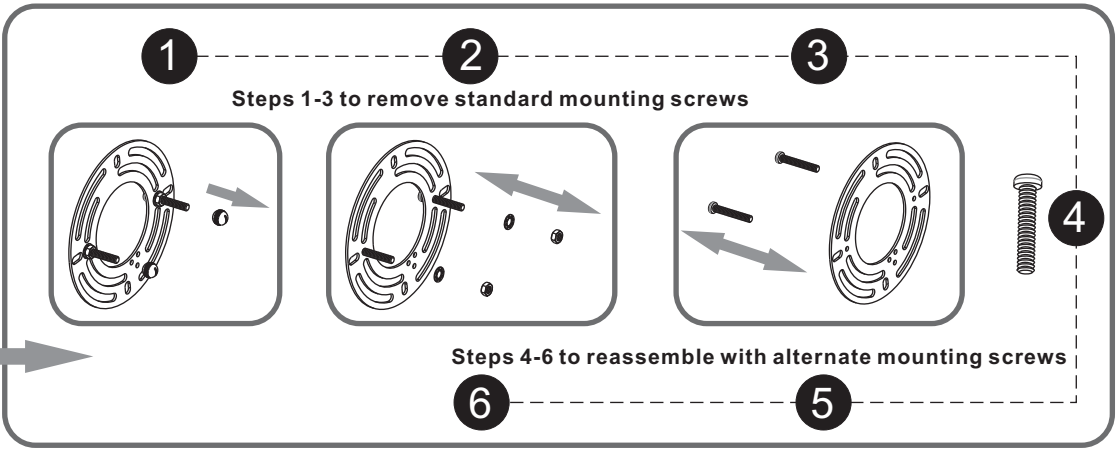
OPTION 1



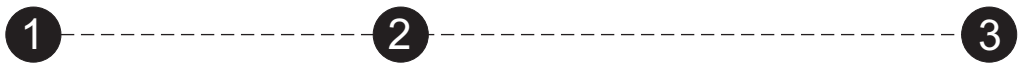
OPTION 2



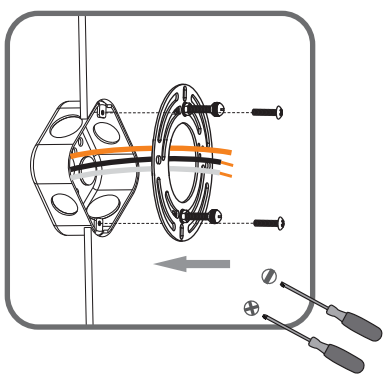
skip to next page



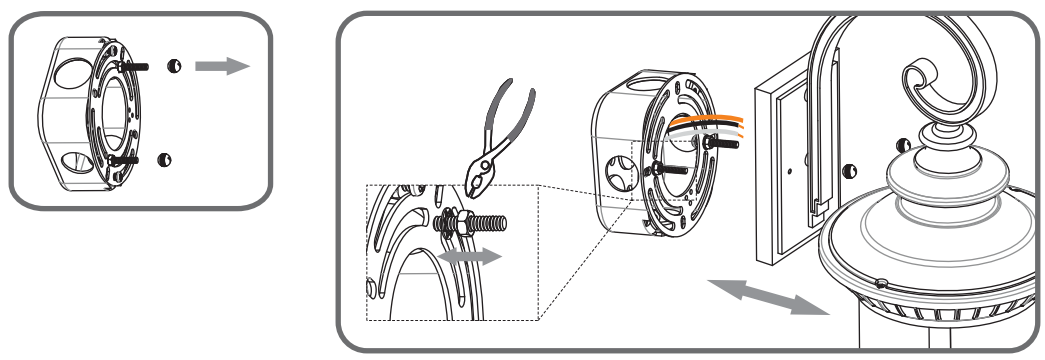
STEP 2



Step 1
Install crossbar assembly

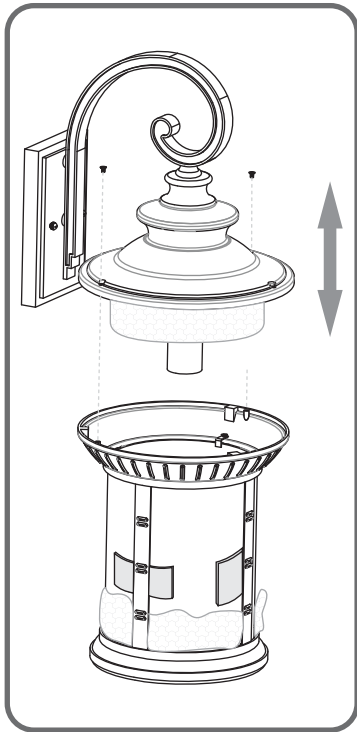


Step 2 - 3
Test fitting backplate to mounting screws

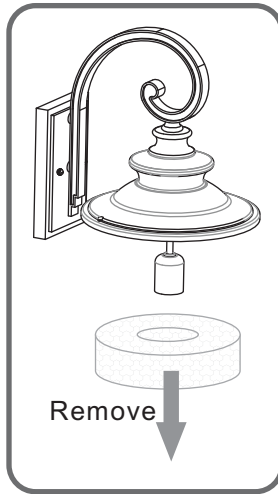


STEP 3

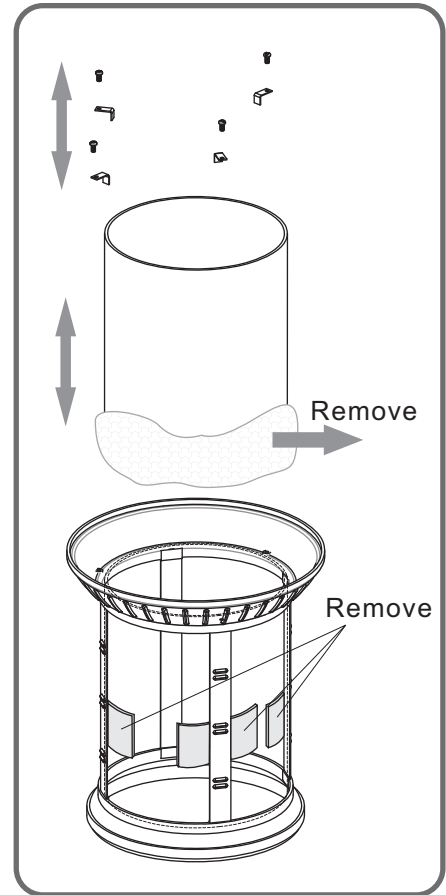
1
Step 1
Separate Cage from Fixture Body



2
Step 2
Remove Styrofoam



3
Step 3
Remove PE Foam and Paper Card



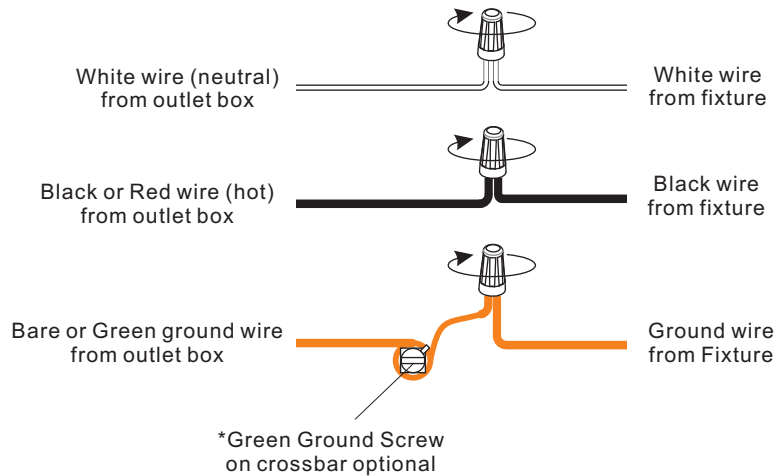
Step 5
Reassemble Cage

5

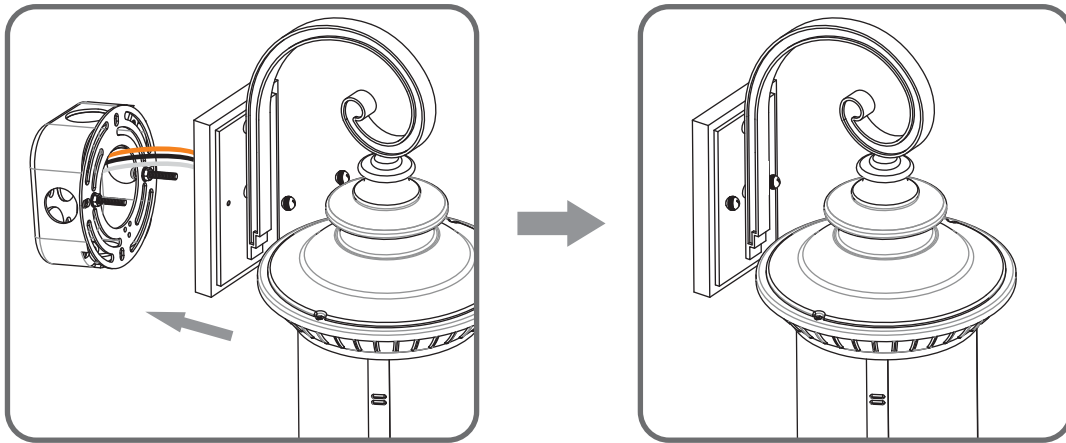
Step 4
Reassemble Glass

4

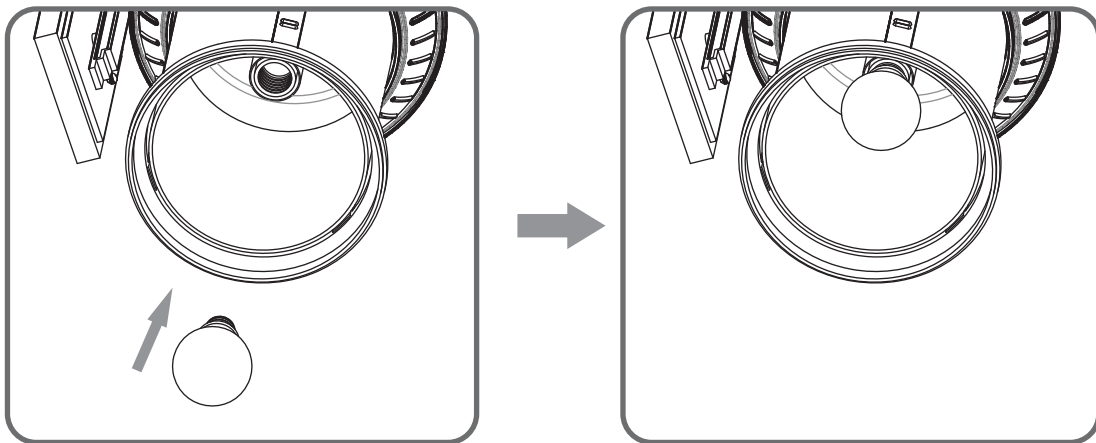
STEP 4



STEP 5



STEP 6



STEP 7

