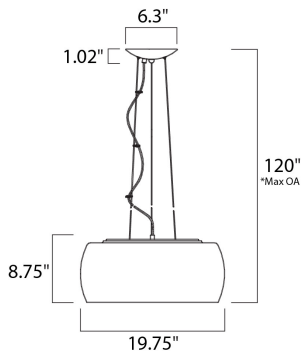




#### PRODUCT DESCRIPTION

Bring a touch of contemporary style to any design space with the Sense Collection. The external mirrored glass enveloping a sphere of xenon emanates the heart and soul of the space it inhabits. With an added touch of elegance, the clean simple orb frame falls graciously from the ceiling on a gently swirling lifeline.



\*max overall height

#### MEASUREMENTS

DIMENSION : 19.75" W x 8.75" H  
 MAX OAH : 120" OAH  
 CANOPY : 6.3" W x 1.02" H x 6.3" L  
 HANGING WEIGHT : 16.72 lb

#### LAMPING

LUMENS : 3,000 Rated  
 BULB : 6 x 40W Xenon G9 , 240W Total  
 BULB INCLUDED : (Included)  
 DIMMABLE : Yes  
 COLOR\_TEMP : 2900K

#### FINISHES OPTION

 Polished Chrome

#### GLASS

Mirror Chrome 81

#### MATERIAL

Steel

#### RATINGS

cETLus  
 Dry Location



#### ADDITIONAL

RATED LIFE 2000 Hours  
 OPERATING TEMPERATURE:  
 -20°C (-4°F), 40°C (104°F)

Always consult a qualified electrician before installing any lighting product.



**WESTERN DISTRIBUTION CENTER (HEADQUARTER)**  
 253 NORTH VINELAND AVE | CITY OF INDUSTRY, CA 91746  
**EASTERN DISTRIBUTION CENTER**  
 4200 SHIRLEY DR. | ATLANTA, GA 30336  
 P. 626.956.4200 | F. 626.956.4225 | et2online.com