

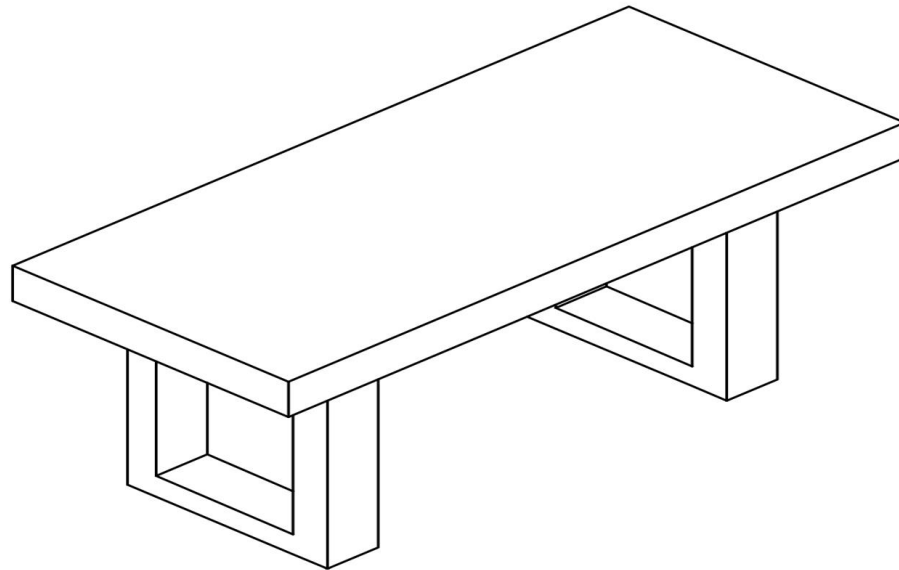
# MOE'S

home collection

## **ASSEMBLY INSTRUCTIONS.**

JEDRIK OUTDOOR DINING TABLE LARGE



**BQ-1018-25**






THANK YOU FOR YOUR PURCHASE!

# PARTS AND HARDWARE.

## PARTS LIST

No.	DESCRIPTION	IMAGE	Q'TY
P1	CONCRETE TOP		01
P2	METAL LEG		02

## HARDWARE LIST

No.	DESCRIPTION	IMAGE	Q'TY
H1	SPANNER		01
H2	HEX NUT		32
H3	WASHER		32

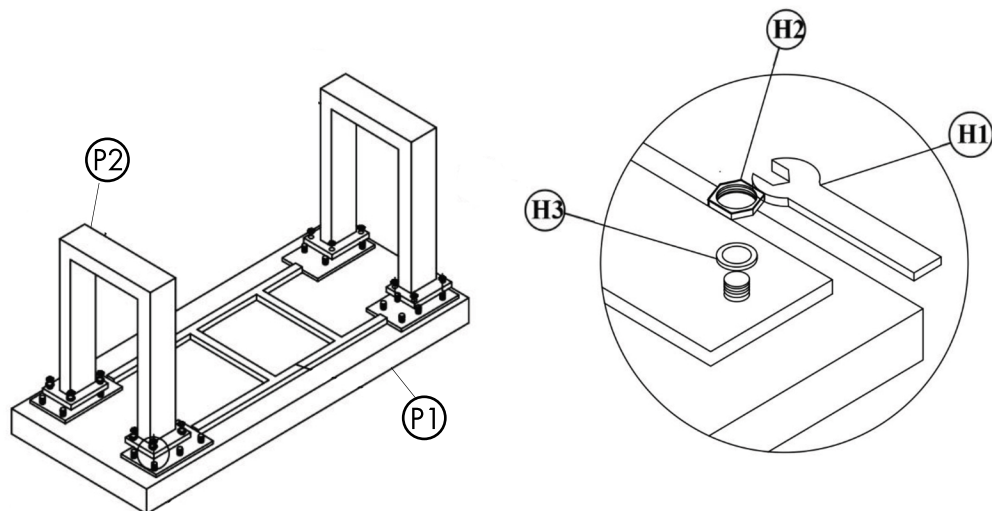
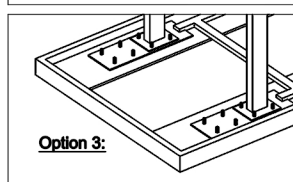
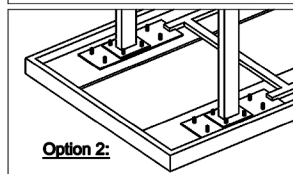
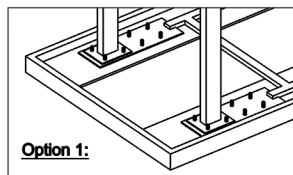
## NOTES.

Thank you for purchasing this quality product! Be sure to check all packing material carefully for small part that may have come loose inside the carton during shipping.

**CAUTION:** The item is heavy, assembly should be performed by two people.

## STEP 1.

Metal legs can install with concrete top 3 options as bellow:



## STEP 2.

