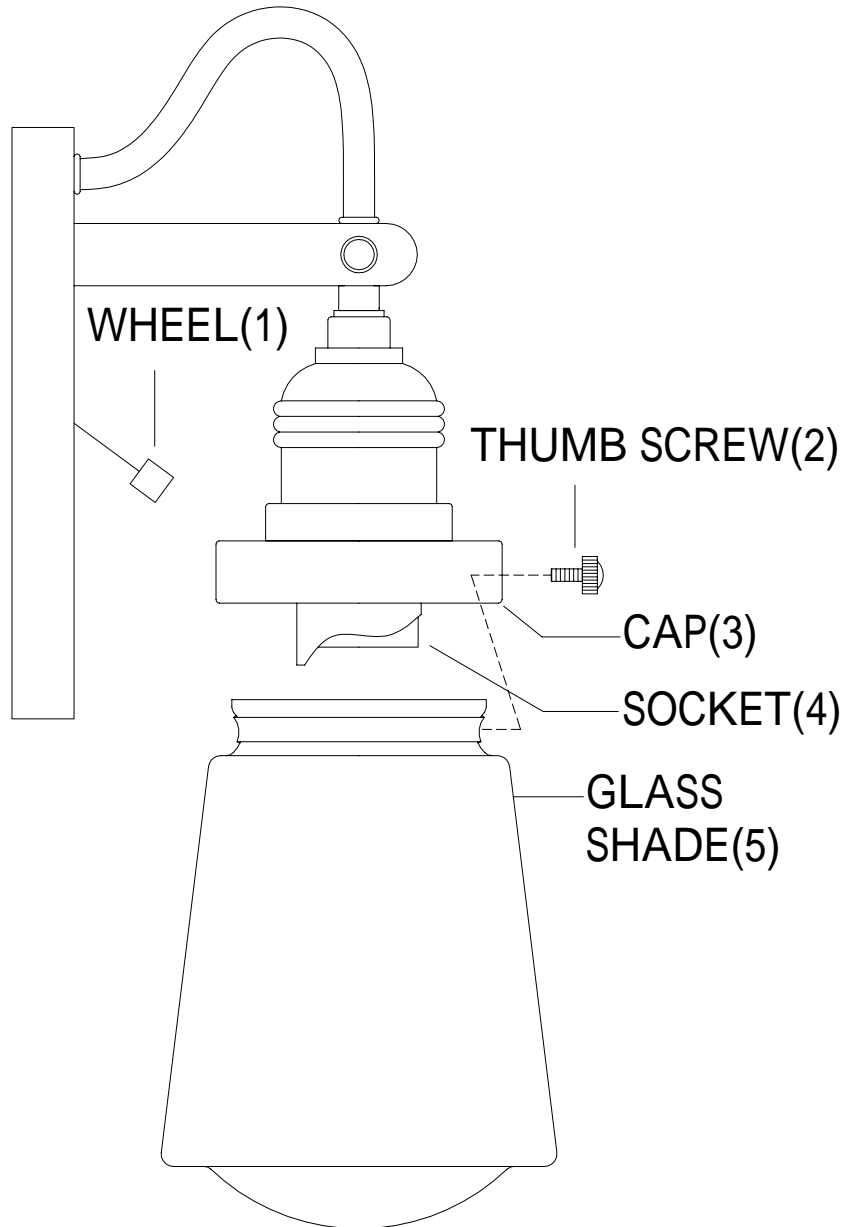




LIGHTING



INSTALLATION INSTRUCTIONS

1. Carefully remove the fixture out of the carton, and check that all parts are included referring to the above illustration. Make sure not to misplace any parts that are needed for the installation;
2. Install the bulb into socket (4).
3. Install the glass shade (5) into cap (3), then screw them with thumb screw (2).
4. Fixture is ready for lamping and installation.